

Genie®

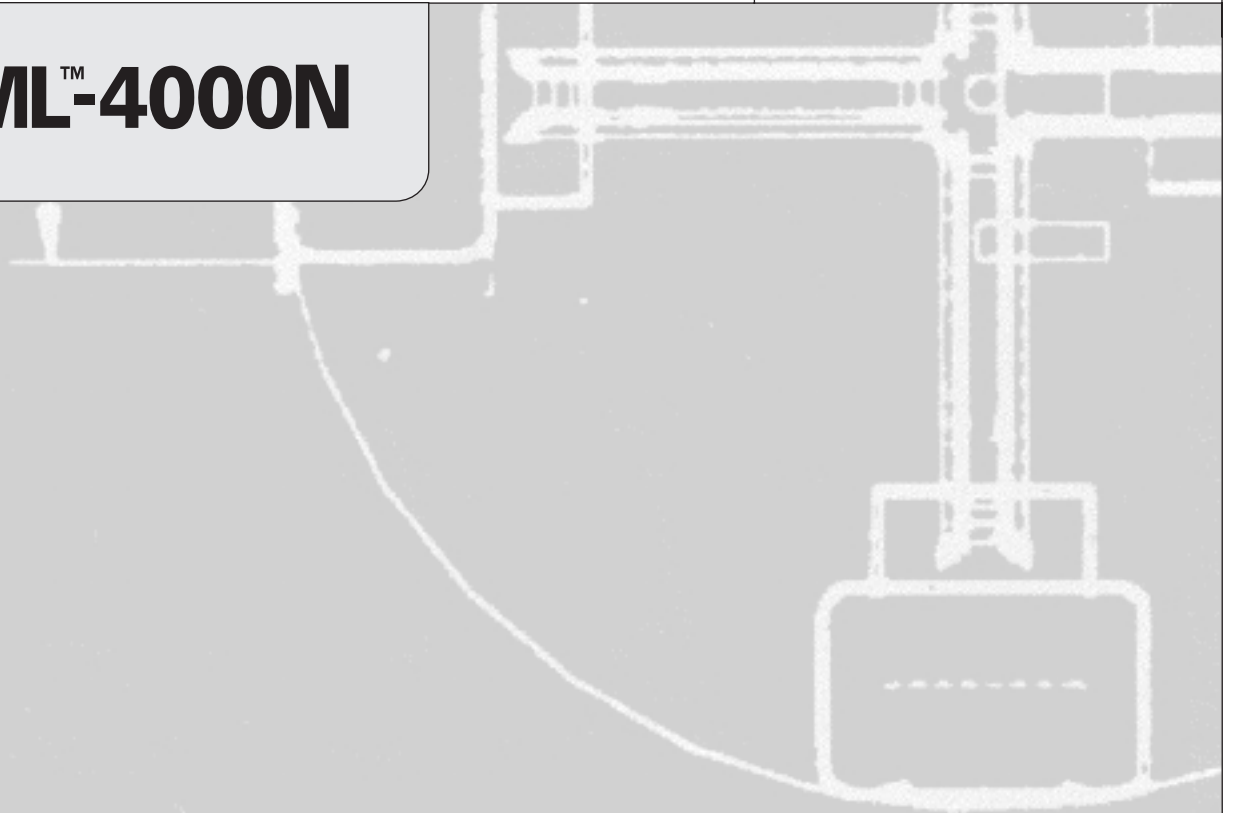


Parts Manual

serial number TML01-01 to TML01-225

First Edition
First Printing
Part No. 69881

TML™-4000N



Genie[®]TML[™]-4000N

This parts manual covers the Genie TML models. Genie has endeavored to deliver the highest degree of accuracy possible. However, continuous improvement of our products is a Genie policy. Therefore, product specifications are subject to change without notice.

Readers are encouraged to notify Genie of errors and send in suggestions for improvement. All communications will be carefully considered for future printings of this and other manuals. Please write to the Technical Publications team:

Genie
PO Box 97030
Redmond, WA 98073-9730, USA

Please visit the Genie Web Site at:
www.genielift.com

Technical Publications Department e-mail:
techpub@genieind.com


If you have any questions, please call Genie

Genie[®]Industries

Copyright © 2002 by Genie

First Edition: First Printing, January 2002

"Genie" and "TML" are Registered Trademarks of Genie in the USA and many other countries.

 Printed on recycled paper

Printed in U.S.A.

Table of Contents

Recommended Parts Stocking List	v
How To Order Parts	vi
Service Parts Fax Order Form	vii

Section One Decals And Paint

Figure 1-A Decals and Paint	1 - 2
---------------------------------------	-------

Section Two Base Components

Figure 2-A Axle and Tongue Installation	2 - 2
Figure 2-B Outrigger Assembly	2 - 6
Figure 2-C Control Box and Electrical Component Installation	2 - 10
Figure 2-D Winch Installation, Base	2 - 12
Figure 2-E Fuel Tank, Battery and Engine Tray Installation	2 - 14
Figure 2-F Control Box	2 - 16
Figure 2-G Covers	2 - 18
Figure 2-H Winch Assembly	2 - 22
Figure 2-I Power Cables	2 - 24

Section Three Engine and Generator Components

Figure 3-A Deutz Diesel Engine, View 1	3 - 2
Figure 3-B Deutz Diesel Engine, View 2	3 - 6
Figure 3-C Deutz Diesel Engine, View 3	3 - 10

TABLE OF CONTENTS

Section Four	Mast Components	
Figure 4-A	Mast Assembly - View 1, Number 1 Mast Tube Installation	4 - 2
Figure 4-B	Mast Assembly - View 2, Number 1 Mast Tube Assembly	4 - 4
Figure 4-C	Mast Assembly - View 3, Number 1 and 2 Mast Tube Assemblies	4 - 8
Figure 4-D	Mast Assembly - View 4, Number 1, 2 and 3 Mast Tube Assemblies	4 - 10
Figure 4-E	Light Installation	4 - 12
Figure 4-F	Light Fixture Assembly	4 - 14
Figure 4-G	Power Cable Routing - Mast	4 - 16
Figure 4-H	Winch Cable Routing - Mast Extension	4 - 18
Numeric Index	5 - 1

Recommended Parts Stocking List

How To Use This List

The service parts listed below have been divided into four priority groups: A, B, C and D. Use the group code and quantities listed to plan enough inventory to support your fleet. The quantities shown are recommended for 1 to 5 machines. Some of these service parts are common to other Genie products.

Group A parts are required to perform maintenance procedures as outlined in the *Genie TML-4000N Service Manual*.

Group B parts solve 75% of machine troubleshooting issues.

Group C parts affect the safe operation of the machine.

Group D parts are common replacement items.

Group A		
Part No.	Description	Qty.
80053	Filter - Oil	3
69826	Filter - Fuel	3
80124	Filter - Air	3
80284	V-Belt	2

Group B		
Part No.	Description	Qty.
69830	Gasket - Exhaust	6
69831	Relay - Glow Plug Timer	2
80278	Switch - Oil Pressure	2
80279	Temperature Sensor	2
24018	Circuit Breaker, 15A	2
57450	Switch - Circuit Breaker, 120V/220V, 20A	2
69767	Key Switch, 2 position with Base (includes 1 pair of keys)	5
69768	Base - Push Button (includes Contacts)	5
66816	Contact - N.O.	5
66818	Contact - N.C.	5
69884	Capacitor, 480V, 60 Hz	1
69883	Ballast, 120V, 60 Hz	1
69759	Printed Circuit Board - Engine Shutdown (includes spacers)	2
57444	Fuse - Spade, 50A	4
69777	Switch - Control Box Light	2

Group C		
Part No.	Description	Qty.
80280	Decal Kit - Safety/Instructional	2
57331	Screw Jack (includes mounting hardware)	2
80130	Knob - Handle, Screw Jack.	4
Ref.	Operator's Manual	5
80371	Taillight - Flush Mount, 4 inch	5
57398	Light - License Plate	5
46715	Safety Chain	4
57316	Pulley - Mast Cable	5
23394	Pulley - Control Cable	5

Group C, continued		
Part No.	Description	Qty.
57710	Fender	2
80107	Cable Assembly - Winch, Mast Raise/Lower	5
80281	Cable Assembly - Winch, Mast Extension	5
5157	Friction Disc	10
5156	Kit - Ratchet Pawl	3
6190	Kit - Cable	5
14193	Pinion Gear Assembly	5
14194	Pinion Shaft	5
67688	Spring - Mast Lock	5
69814	Spring - Cover Latch	10
69989	Spring - Lock Pin, Outrigger	10
48075	Spring - Mast Rotate Handle	6
57352	Spring - Light Mount	6
69638	Spring - Mast Compression	6

Group D		
Part No.	Description	Qty.
69681	Wear Pad, 1.88 x 1 x 0.34 inch (4.78 x 2.54 x 0.86 cm)	6
18504	Nut - Hex, Locking Flange, 1/4 -20	12
69699	Guide Pad - Actuator Stop	6
69693	Wear Pad - Mast Cradle	6
69687	Wear Pad - Number 1 Mast	6
40267	Manual Storage Container with Decals	3
37947	Key - Key Switch (package of 10 keys)	3
80101	Bulb - 110V, 1000 Watt, BT37	4
80103	Lens - Light	4
57717	Cap - Fuel Tank	4
80283	Toothed Belt	2

How To Order Parts

How To Order Service Parts

Please be prepared with the following information when ordering replacement parts for your Genie product:

- Machine model number
- Machine serial number
- Genie part number
- Part description and quantity
- Purchase order number
- "Ship to" address
- Desired method of shipment
- Name and telephone number of the authorized Genie Distributor in your area

Use the Service Parts Fax Order Form on the next page and fax your order to our Parts Department.

If you don't know the name of your authorized distributor, or if your area is not currently serviced by an authorized distributor, please call Genie.

Genie North America

Telephone (425)556-6551
 Toll Free (877)367-5606 in U.S.A. and Canada
 Fax (425)556-8659

Genie UK

Parts Telephone (44) (0) 1636 614777
 Parts Fax (44) (0) 1636 611091

Genie Australia

Parts Telephone (617) 03375 1660
 Parts Fax (617) 03375 1002

Genie France

Parts Telephone (33) (0) 237 260 909
 Parts Fax (33) (0) 237 315 010

Genie Germany

Parts Telephone (49) 04202 885223
 Parts Fax (49) 04202 885225

Machine Information

Model

Serial No.

Date of Purchase

Authorized Genie Distributor

Phone No.

Manuals

Genie Industries offers the following support documents for this model:

Title	Part No.
Genie TML-4000N	
Operator's Manual, First Edition	65176

Section One

Decals and Paint

Figure 1-A

Decals and Paint

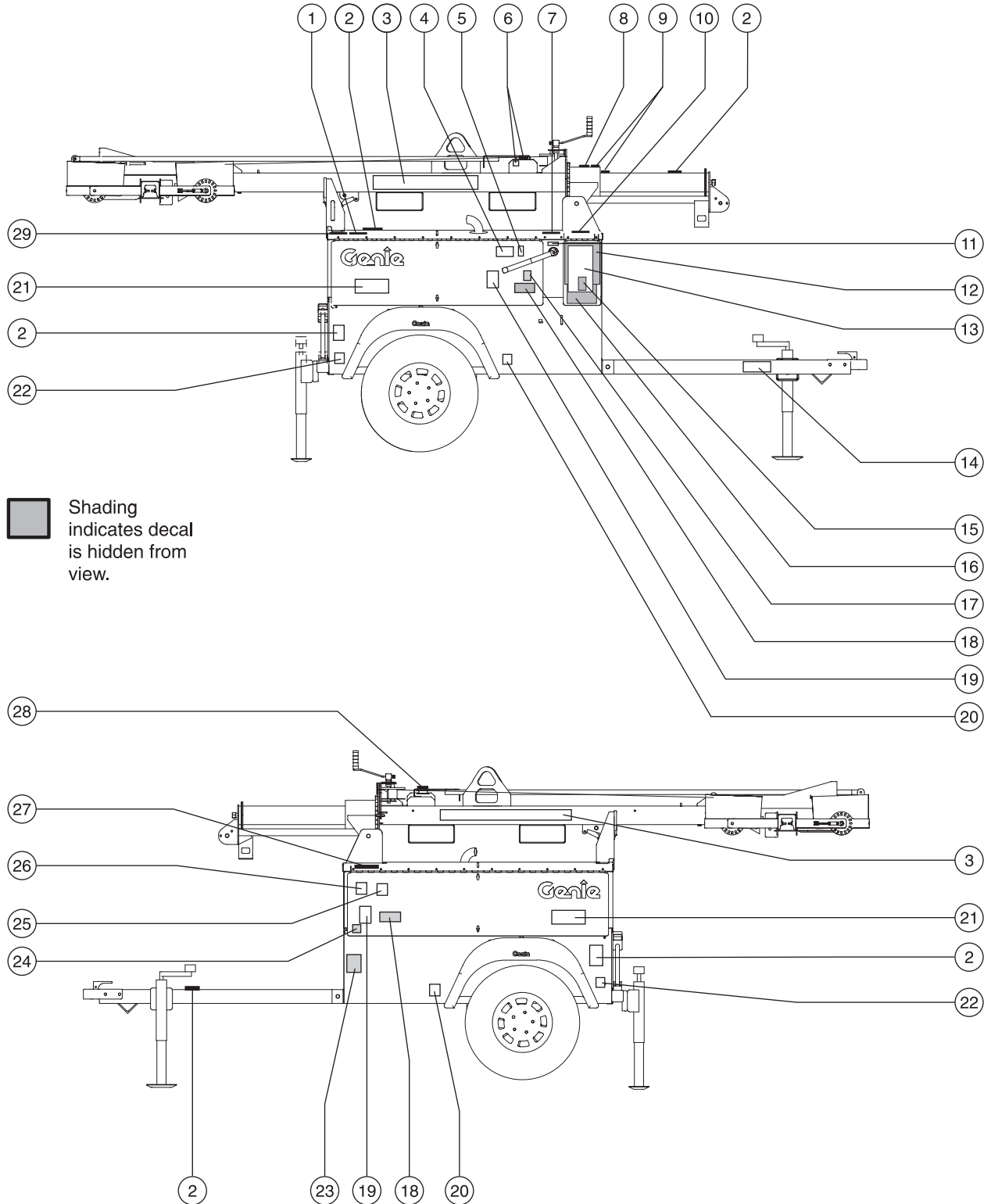


FIGURE 1-A

Index	Part No.	Description	Quantity This Figure
—	80280	Decal Kit - Safety/Instructional (does not include index numbers 3 and 23)	—
—	32150	Paint - Genie Blue, 1 Gallon (3.78 liters)	—
—	1484	Paint - Genie Blue, 12 Ounces (340.5 grams) Aerosol	—
—	32151	Paint - Genie Grey, 1 Gallon (3.78 liters)	—
—	1268	Paint - Genie Grey, 12 Ounces (340.5 grams) Aerosol	—
1	72889	Warning - Transport Hazard	1
2	28161	Warning - Crush Hand	4
3	72010	Cosmetic - Genie TML-4000N	2
4	72870	Caution - Component Contact	1
5	72871	Label - Power Outlet, 120V AC	1
6	72891	Label - Blue Arrow	2
7	72890	Notice - Mast Retraction	1
8	65409	Notice - Mast Rotation Instructions	1
9	72077	Label - Black Arrow	2
10	72019	Warning - High Voltage	1
11	72018	Label - Raise/Lower Winch	1
12	65408	Notice - Operating Instructions	1
13	65411	Warning - General Safety	1
14	62707	Warning - Tow Speed	1
15	72008	Caution - Turn Off Lights	1
16	72865	Control Panel	1
17	65423	Notice - Engine Specs	1
18	65421	Warning - Electrocution, Generator	2
19	28164	Notice - Hazardous Materials	2
20	72828	Notice - Tire Specs	2
21	65414	Danger - Electrocution Hazard	1

This parts list continues. Please turn the page.

FIGURE 1-A

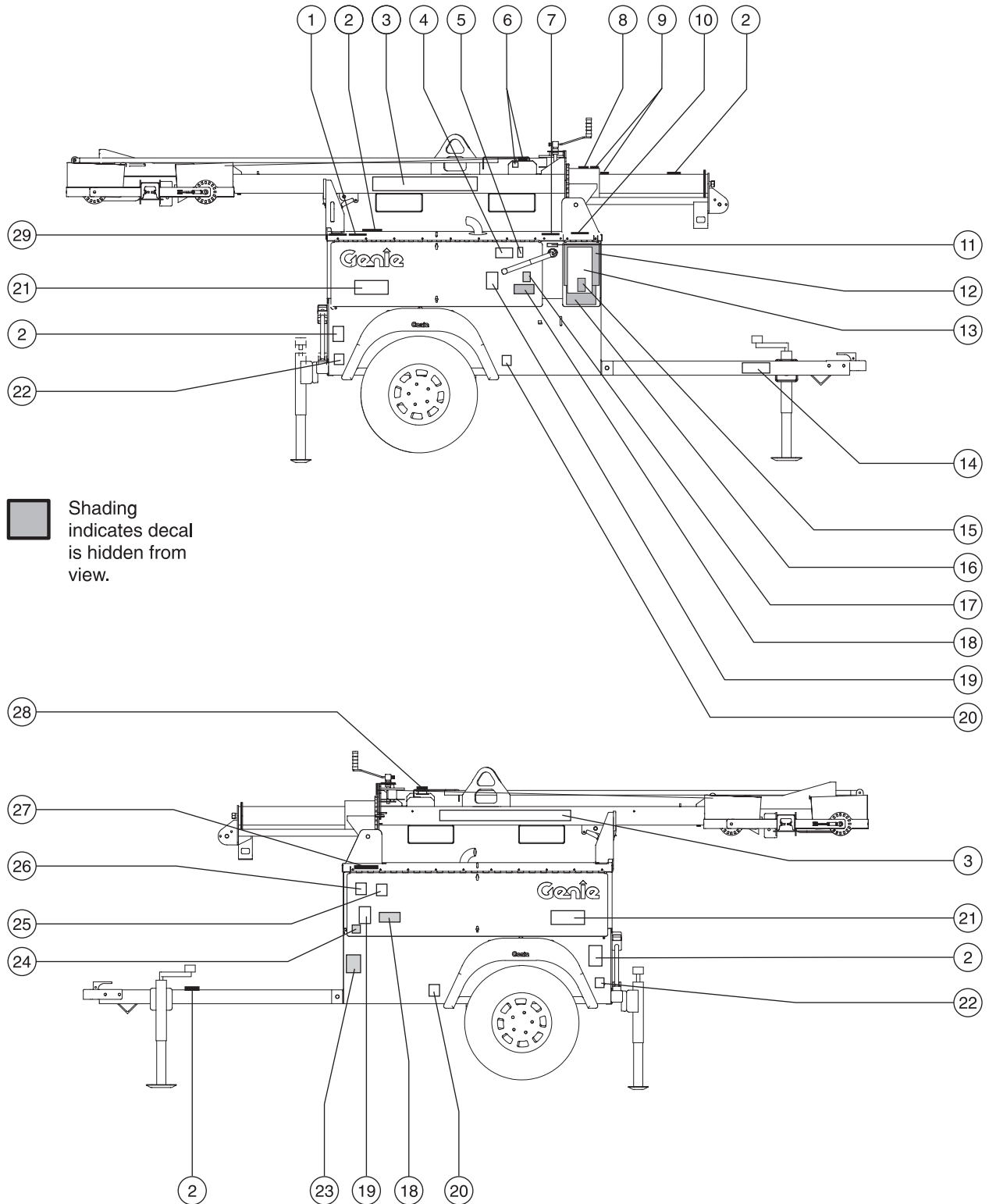


FIGURE 1-A

Index	Part No.	Description	Quantity This Figure
22	52475	Label - Transport Tie-down	2
23	80321	Label - Serial Number and NHTSA, Mylar (ANSI and CSA models)	1
24	31072	Label - Manual Storage Container	1
25	28171	Label - No Smoking	1
26	28159	Label - Diesel	1
27	65412	Warning - Transport Instructions	1
28	72826	Label - Extend/Retract Winch	1
29	72874	Label - Locked, Unlocked	1

Section Two

Base Components

Figure 2-A

Axle and Tongue Installation

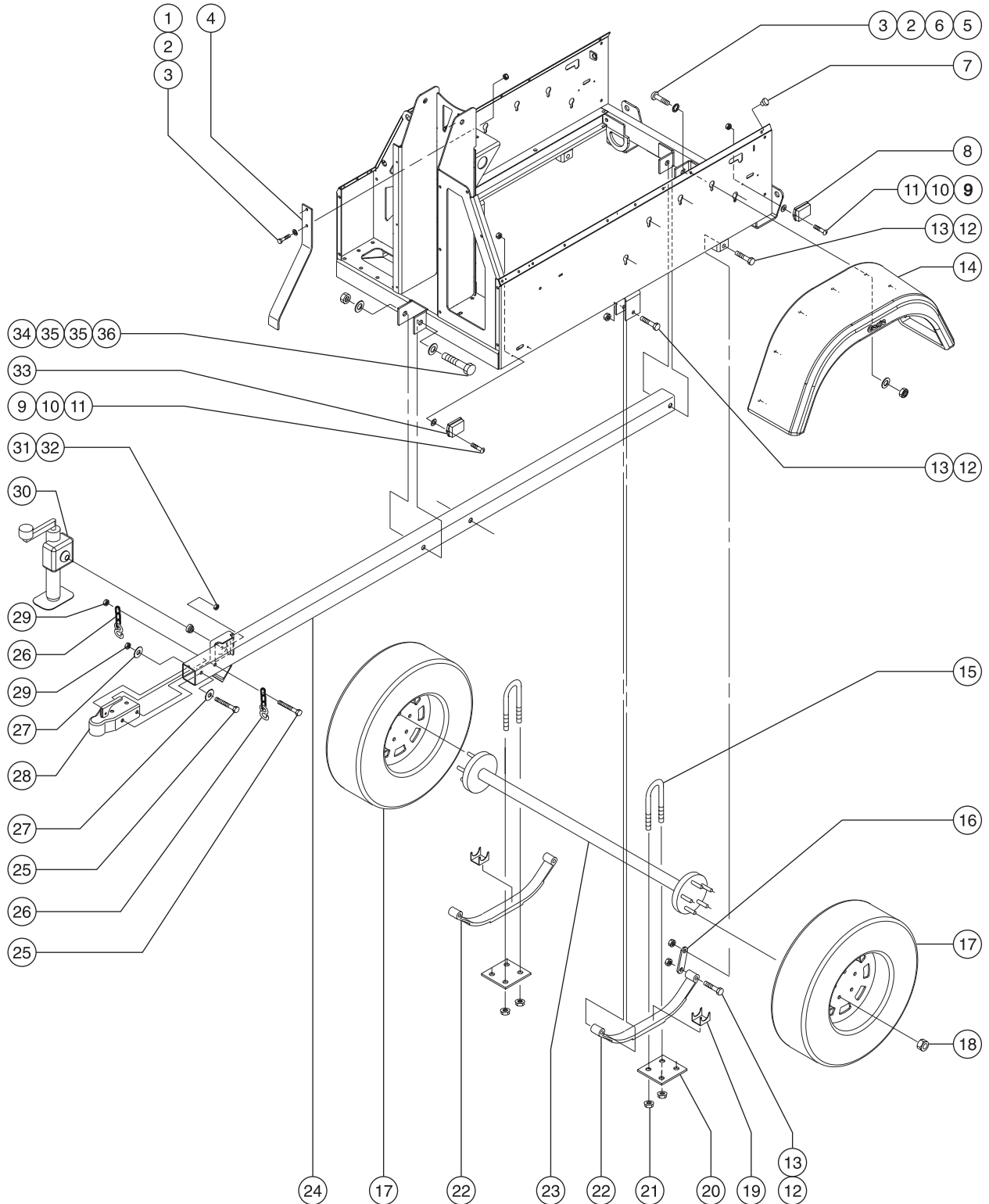


FIGURE 2-A

Index	Part No.	Description	Quantity This Figure
1	6019	Screw - HHC, ³ / ₈ -16 x 1.25 inches, GR 5	2
2	5397	Washer - Flat, ⁵ / ₁₆ inch (0.375 x 0.875 x 0.083 inch) (0.95 x 2.22 x 0.21 cm)	12
3	4828	Nut - Nylock, ³ / ₈ -16	12
4	57470	Bracket - Mast Spring	1
5	60790	Bolt - Carriage, ³ / ₈ -16 x 1.5 inches, GR 5	10
6	8887	Washer - Star, External, ¹ / ₂ inch	10
7	46716	Bumper - Rubber	8
8	57399	Marker Light Assembly with Bulb, Red	2
—	80105	Lens - Marker Light Assembly, Red	—
—	65231	Bulb - 14V DC, Number 1157	—
9	49816	Screw - PHM, 10-32 x 0.75 inch, GR 2	8
10	6607	Washer - Lock, Plated, #10	8
11	15513	Nut - Hex, 10-32	8
12	57394	Screw - HHC, ⁹ / ₁₆ -18 x 3 inches, GR 5	6
13	57395	Nut - Hex, ⁹ / ₁₆ -18	6
14	57710	Fender	2
15	57549	U-Bolt - Axle Mount, ³ / ₈ -24, 1.75 x 4 x 1.44 inches	4
16	57393	Plate - Shackle Axle Spring	2
17	44650	Tire and Wheel Assembly	2
—	52252	Wheel, 13 inches	—
—	52351	Tire, 185/80, R13 inches, Load Range C	—
18	46717	Nut - Lug, ¹ / ₂ -20 UNF	10
19	57552	Saddle - Axle	2
20	57551	Plate - Spring	2
21	57550	Nut - Hex, Flange, ³ / ₈ -24	8
22	69211	Spring - Axle, Three Leaf, 1400 lbs. (635 kg) (after serial number TML01-225)	2
—	69999	Kit - Axle Spring Update, 1400 lbs. (635 kg) (before serial number TML01-226)	—
23	57325	Axle	1

This parts list continues. Please turn the page.

FIGURE 2-A

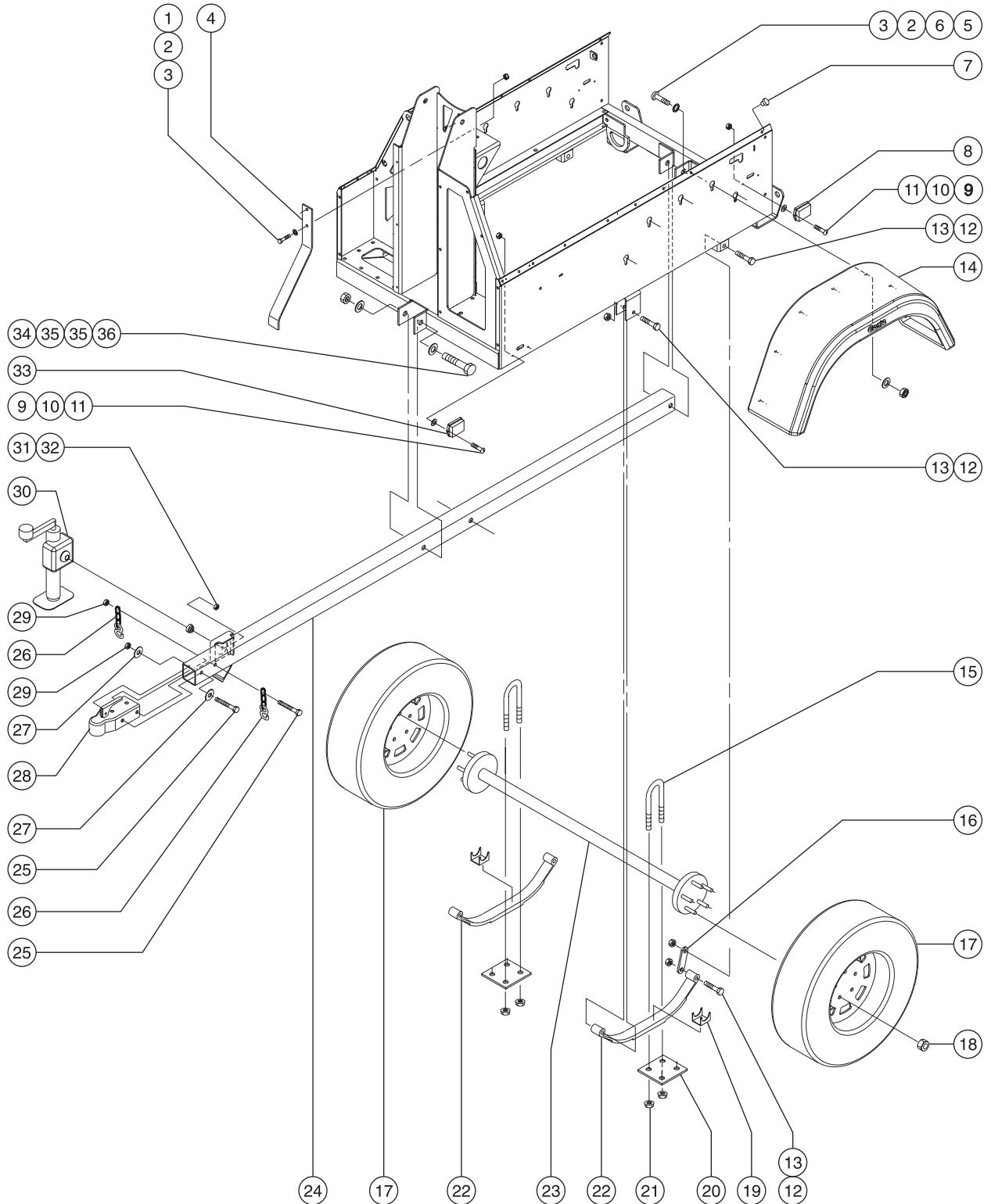


FIGURE 2-A

Index	Part No.	Description	Quantity This Figure
24	80104	Tongue Assembly with Decals (decals are listed in Section One)	1
25	12461	Screw - HHC, 1/2 -13 x 5 inches, GR 8	2
26	46715	Safety Chain (includes hooks)	2
27	13066	Washer - Flat, Hardened, 1/2 inch (0.53 x 1.06 x 0.09 inch) (1.35 x 2.7 x 0.23 cm)	2
28	57332	Hitch Assembly	1
29	6198	Nut - Nylock, 1/2 -13	2
30	57331	Screw Jack - Tongue (includes mounting hardware)	1
31	72104	Nut - Hex, 1/2 -13	1
32	72105	Spacer - Tongue Jack, 0.503 I.D. x 1.125 O.D. inches (1.28 x 2.86 cm)	1
33	52135	Marker Light Assembly with Bulb, Amber	2
—	65206	Lens - Marker Light Assembly	—
—	65231	Bulb, 14V DC, Number 1157	—
34	10006	Screw - HHC, 3/4 -10 x 5 inches, GR 5	3
35	10256	Washer - Flat, 3/4 inch (0.812 x 2 x 0.148 inch) (2.06 x 5.08 x 0.38 cm)	6
36	10258	Nut - Nylock, 3/4 -10	3

Figure 2-B

Outrigger Assembly

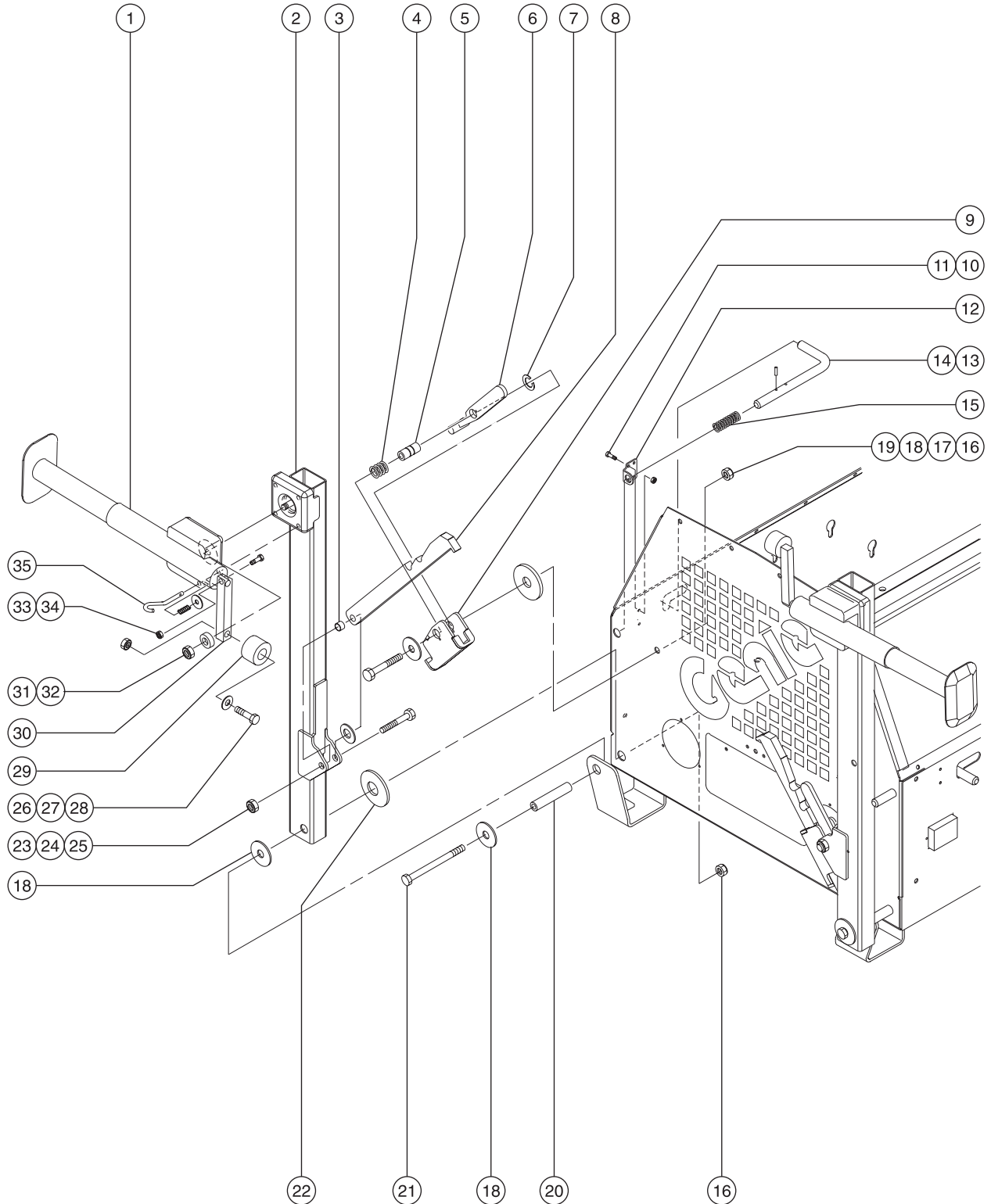


FIGURE 2-B

Index	Part No.	Description	Quantity This Figure
1	57331	Screw Jack - Outrigger (includes mounting fasteners)	2
2	69818-S	Weldment - Outrigger, Tank Side	1
—	69809-S	Weldment - Outrigger, Engine Side	—
3	69815	Spacer - Sleeve, Outrigger Handle, 0.63 x 0.75 x 0.5 inch (1.6 x 1.91 x 1.27 cm)	2
4	69814	Spring - Torsion, Outrigger Handle, 0.88 x 0.5 inch (2.24 I.D. x 1.27 cm)	2
5	69813	Bushing - Outrigger Handle, 0.5 x 0.88 x 2.04 inches (1.27 x 2.24 x 5.18 cm)	2
6	69800-S	Handle - Outrigger	2
7	32499	Clip - Retainer, 0.88 inch	2
8	80003	Strut - Outrigger	2
9	80000-S	Weldment - Guide, Outrigger Strut	2
10	8914	Screw - HHC, 1/4 -20 x 0.63 inch, GR 5	4
11	6889	Nut - Low Profile Nylock, 1/4 -20	4
12	69990	Bracket - Outrigger Pin	2
13	69667	Pin - Lock, Outrigger	2
14	69650	Pin - Roll, 0.19 x 2 inches (0.48 x 5.08)	2
15	69989	Spring - Lock Pin, Outrigger	2
16	6198	Nut - Nylock, 1/2 -13	4
17	39240	Washer - Thrust, 0.5 x 2.313 x 0.25 inch (1.27 x 5.88 x 0.64 cm)	2
18	6095	Washer - Flat, 1/2 inch (0.562 x 1.375 x 0.109 inch) (1.43 x 3.49 x 0.28 cm)	6
19	8357	Screw - HHC, 1/2 -13 x 3.5 inches, GR 5	2
20	69820	Bushing - Bronze, 0.5 x 0.88 x 4.44 inches (1.27 x 2.24 x 11.28 cm)	2
21	13005	Screw - HHC, 1/2 -13 x 6 inches, GR 8	2
22	69819	Washer - Flat, 7/8 inch (0.94 x 2.25 x 0.165 inch) (2.39 x 5.72 x 0.42 cm)	2
23	38028	Nut - Low Profile Nylock, 5/8 -11	2
24	42191	Washer - Flat, 5/8 inch (0.64 x 1.6 x 0.09 inch) (1.63 x 4.07 x 0.23 cm)	2
25	51131	Screw - HHC, 5/8 -11 x 2.5 inches, GR 5	2

This parts list continues. Please turn the page.

FIGURE 2-B

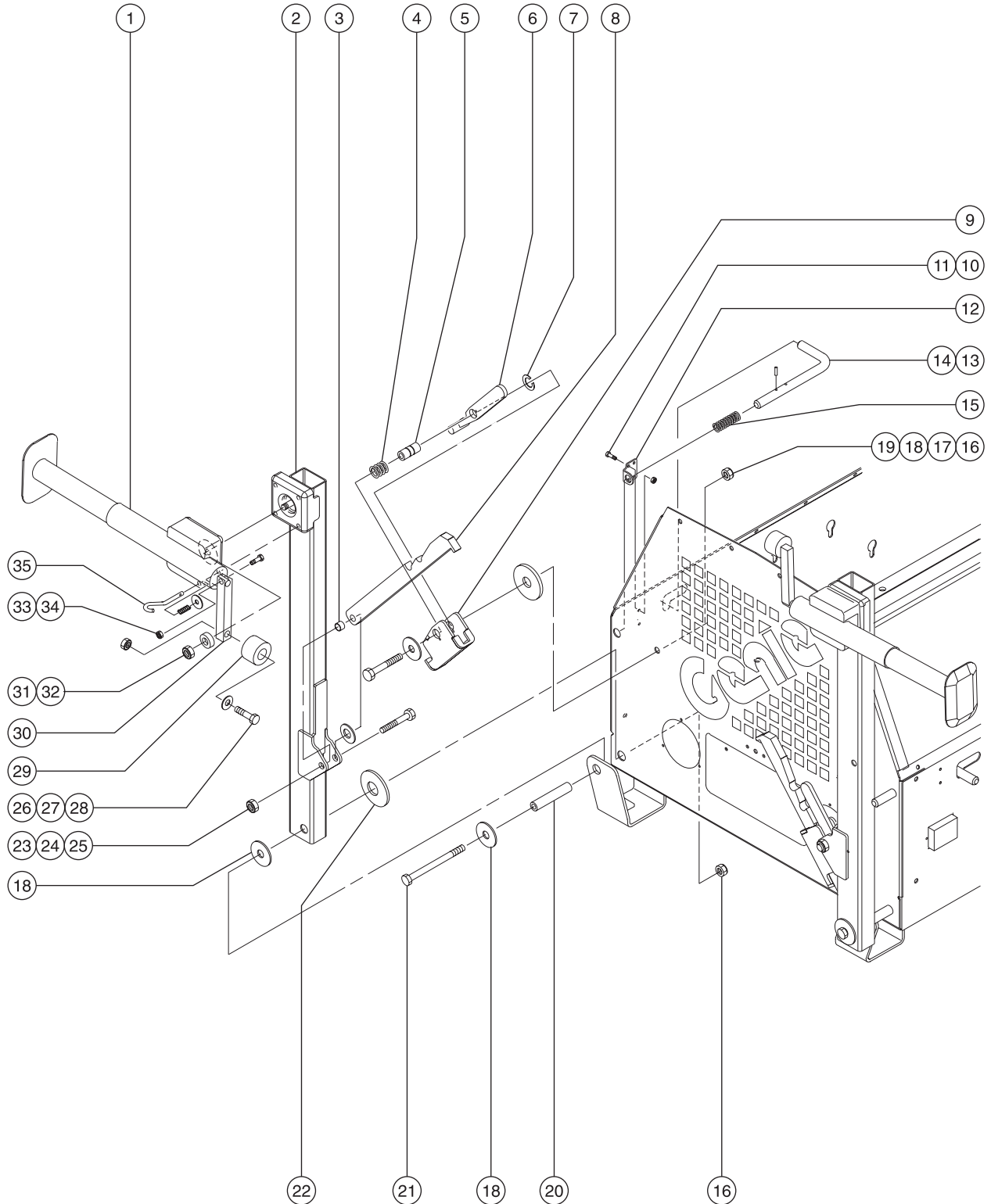


FIGURE 2-B

Index	Part No.	Description	Quantity This Figure
26	5224	Screw - HHC, 3/8 -16 x 2 inches, GR 5	2
27	6097	Washer - Flat, 3/8 inch (0.438 x 1 x 0.083 inch) (1.11 x 2.54 x 0.21 cm)	2
28	46017	Nut - Hex, Low Profile, 3/8 -16	2
29	80130	Knob - Handle, Screw Jack	2
30	80232	Kit - Handle, Screw Jack (includes 1 each index numbers 26 through 28 and index numbers 33 and 34)	2
31	6034	Nut - Hex Jam, 1/2 -13	2
32	80231	Spacer - Screw Jack	2
33	69879	Nut - Hex Jam, 1/4 -20	2
34	8915	Screw - HHC, 1/4 -20 x 1.25 inches, GR 5	2
35	80127	Kit - Pull Pin	1
—	80128	Pin - Pull	—
—	80129	Spring - Pull Pin, 0.66 x 1.38 inches (1.68 x 3.51 cm)	—
—	13066	Washer - Flat, Hardened, 1/2 inch (0.53 x 1.06 x 0.09 inch) (1.35 x 2.7 x 0.23 cm)	—
—	2161	Pin - Cotter, 0.063 x 1 inch	—

Figure 2-C

Control Box and Electrical Component Installation

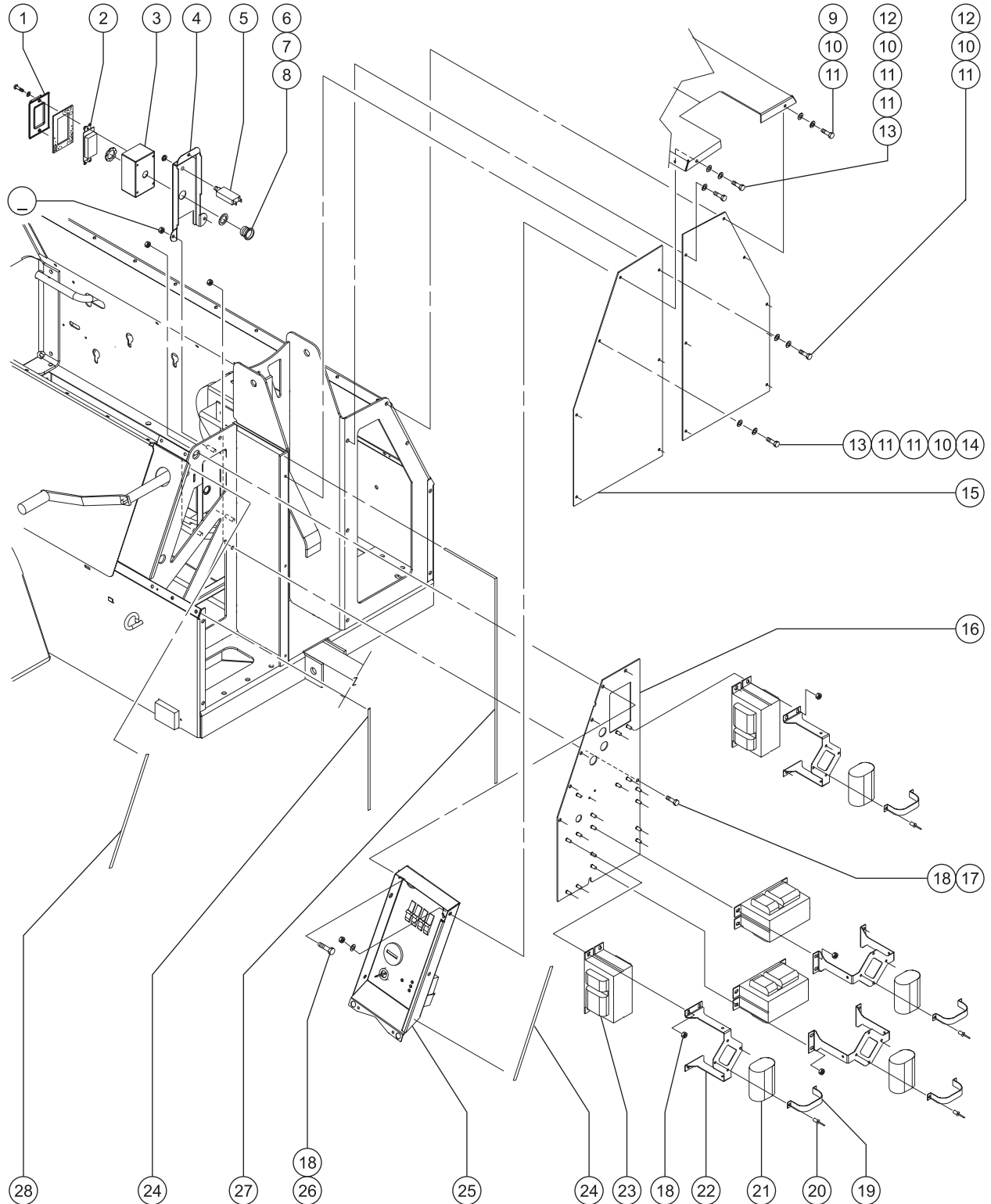


FIGURE 2-C

Index	Part No.	Description	Quantity This Figure
1	45437	Cover - GFCI, Weatherproof (includes gasket and mounting fasteners)	1
2	13585	Receptacle - GFCI, 110V AC, with Cover	1
3	10775	T-Box	1
4	69722	Bracket, T-Box Mount	1
5	24018	Circuit Breaker, 15A (includes mounting fasteners)	1
6	12456	Nipple - Conduit, 1/2 inch	1
7	5397	Washer - Flat, 5/16 inch (0.375 x 0.875 x 0.083 inch) (0.95 x 2.22 x 0.21 cm)	1
8	6935	Locknut - Electric, 1/2 inch NPT	1
9	8914	Screw - HHC, 1/4 -20 x 0.63 inch, GR 5	5
10	6356	Washer - Lock, 1/4 inch	14
11	6638	Washer - Flat, 1/4 inch (0.312 x 0.734 x 0.065 inch) (0.79 x 1.86 x 0.17 cm)	16
12	6888	Screw - HHC, 1/4 -20 x 1 inch, GR 5	8
13	6091	Nut - Nylock, 1/4 -20	18
14	6090	Screw - HHC, 1/4 -20 x 0.75 inch, GR 5	1
15	69723-S	Cover - Front	2
16	69770-S	Weldment - Ballast Mount	1
17	6019	Screw - HHC, 3/8 -16 x 1.25 inches, GR 5	4
18	4828	Nut - Nylock, 3/8 -16	6
19	21619	Clamp - Rubber Cushioned, 1.5 inches	4
20	6271	Rivet - Steel, 0.25 x 0.25 inch	8
21	69884	Capaciter, 480V, 60 Hz	4
22	69719	Bracket - Capaciter Mount	4
23	69883	Ballast, 120V AC, 60 Hz	4
24	69773	Weatherstripping - Ribbed	28 inches (71 cm)
25	Ref.	Control Box (refer to Figure 2-F)	—
26	8255	Screw - HHC, 3/8 -16 x 0.75 inch, GR 5	2
27	69773	Weatherstripping - Ribbed	35 inches (89 cm)
28	69773	Weatherstripping - Ribbed	15 inches (38 cm)

Figure 2-D

Winch Installation, Base

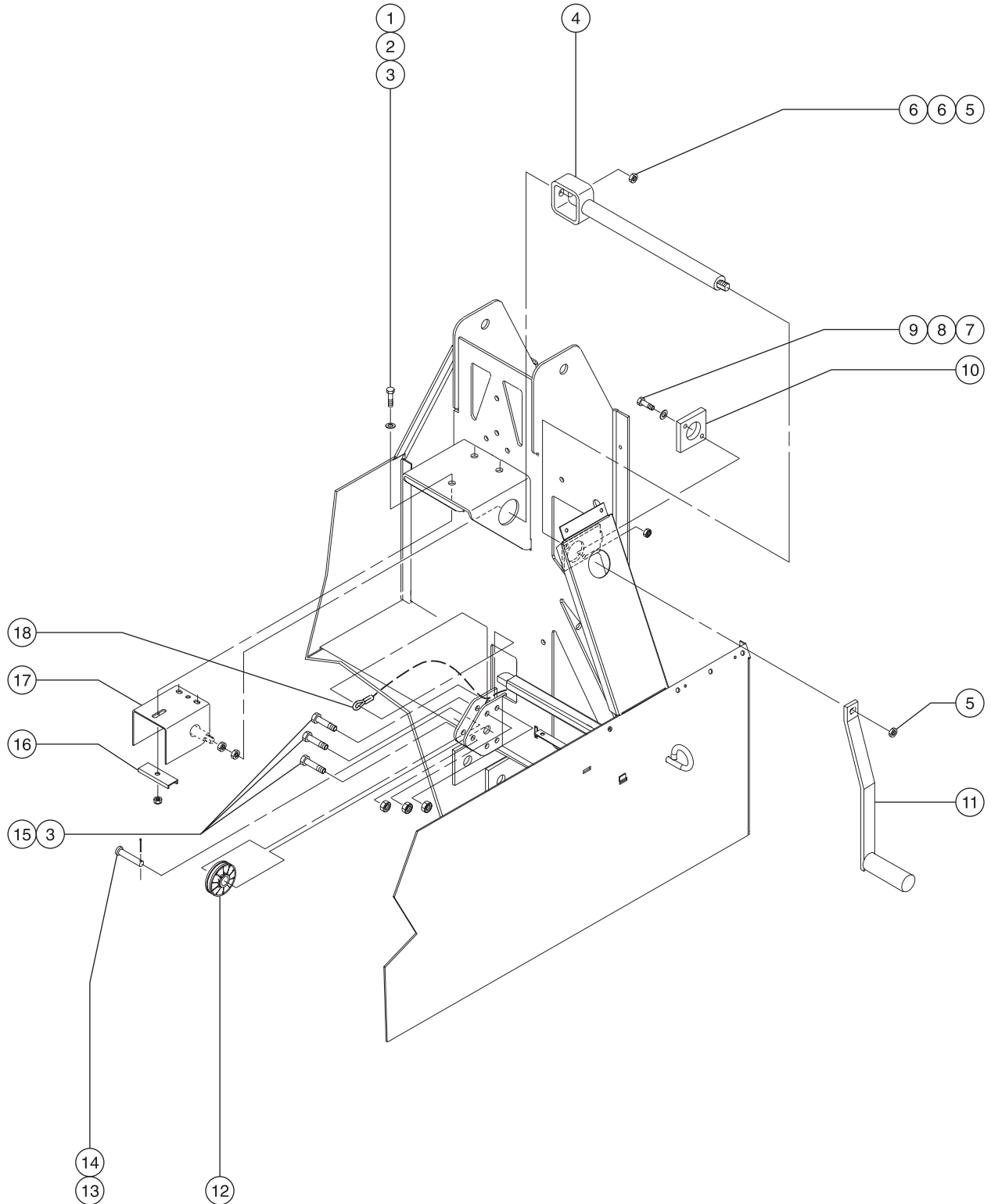


FIGURE 2-D

Index	Part No.	Description	Quantity This Figure
1	6019	Screw - HHC, $\frac{3}{8}$ -16 x 1.25 inches, GR 5	3
2	5397	Washer - Flat, $\frac{5}{16}$ inch (0.375 x 0.875 x 0.083 inch) (0.95 x 2.22 x 0.21 cm)	3
3	4828	Nut - Nylock, $\frac{3}{8}$ -16	6
4	57408-S	Weldment - Crank Handle, Winch	1
5	6086	Nut - Low Profile Nylock, $\frac{1}{2}$ -13	2
6	6034	Nut - Hex Jam, $\frac{1}{2}$ -13	2
7	6888	Screw - HHC, $\frac{1}{4}$ -20 x 1 inch, GR 5	2
8	6638	Washer - Flat, $\frac{1}{4}$ inch (0.312 x 0.734 x 0.065 inch) (0.79 x 1.86 x 0.17 cm)	2
9	6091	Nut - Nylock, $\frac{1}{4}$ -20	2
10	69736	Bushing - Winch Crank Handle (2.25 x 2.25 x 0.375 inch) (5.72 x 5.72 x 0.95 cm)	1
11	16342	Handle - Winch, 11 inches (28 cm)	1
12	57316	Pulley - Mast Cable	1
13	69680	Pin - Clevis, 0.63 x 1.5 inches (1.6 x 3.8 cm)	1
14	12016	Pin - Cotter, 0.125 x 0.75 inch	1
15	13918	Screw - HHC, $\frac{3}{8}$ -16 x 1.75 inches, GR 8	3
16	15657P-S	Plate - Winch Reinforcement	1
17	Ref.	Winch Assembly (refer to Figure 2-H)	—
18	80107	Cable Assembly - Winch, Mast Pivot	1

Figure 2-E

Fuel Tank, Battery and Engine Tray Installation

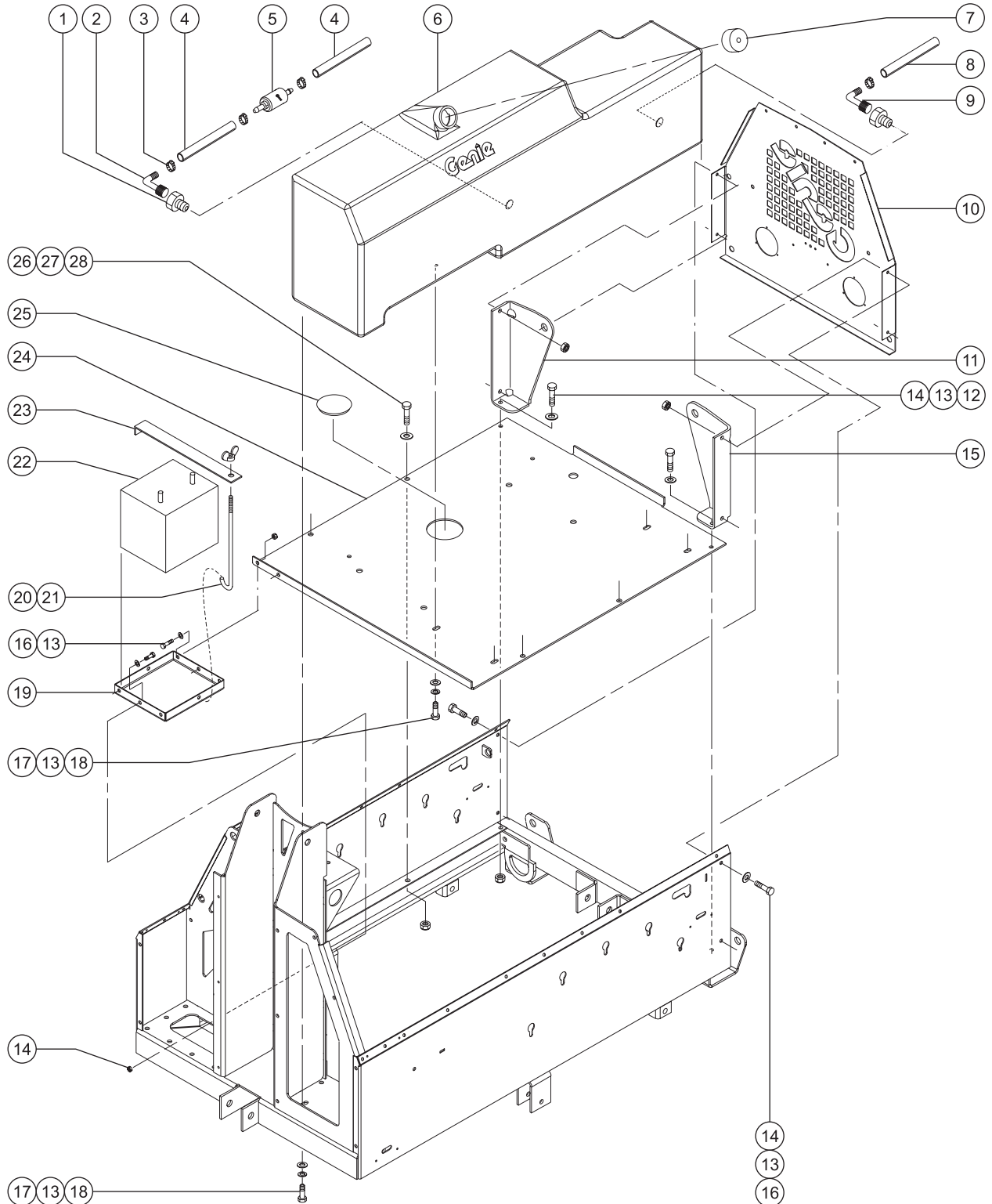


FIGURE 2-E

Index	Part No.	Description	Quantity This Figure
—	85261	Cold Start Accessory (includes heavy duty battery, battery tray and oil pan heater)	—
1	85351	Fitting - Brass, 3/8 inch NPT	2
2	69639	Hose End, 90°, 1/4 inch x 3/16 inch	1
3	44909	Clamp - Hose, 0.25 inch	4
4	30490	Hose, 1/4 inch x 13 inches	2
5	69734	Valve - Fuel Shutoff	1
6	57730	Fuel Tank, 30 gallons (114 liters)	1
7	57717	Cap - Fuel Tank with Chain	1
8	35418	Hose, 3/16 inch x 26.25 inches	1
9	69640	Hose End, 90°, 1/4 inch x 1/4 inch	1
10	57370	Plate - Rear Bulkhead	1
11	69704-S	Weldment - Engine Mount, Control Side	1
12	8516	Screw - HHC, 3/8 -16 x 1.5 inches, GR 5	2
13	5397	Washer - Flat, 5/16 inch (0.375 x 0.875 x 0.083 inch) (0.95 x 2.22 x 0.21 cm)	18
14	4828	Nut - Nylock, 3/8 -16	6
15	69703-S	Weldment - Engine Mount, Tank Side	1
16	6019	Screw - HHC, 3/8 -16 x 1.25 inches, GR 5	10
17	6175	Screw - HHC, 3/8 -16 x 1 inch, GR 5	6
18	6021	Washer - Lock, 3/8 inch (0.382 x 0.683 x 0.094 inch) (0.97 x 1.73 x 0.24 cm)	6
19	69732	Weldment - Battery Tray	1
—	80333	Weldment - Battery Tray, Heavy Duty	—
20	57600	Screw, J- End, 1/4 -20 x 9 inches	1
21	8170	Nut - Wing, 1/4 -20	1
22	56050	Battery- Dry, 12V, 450 CCA Group 70 Case Size Case Size: 8 x 7 x 7.25 inches (20.3 x 17.8 x 18.4 cm)	1
—	67325	Battery - Dry, 12V, 1000 CCA, Heavy Duty	—
—	80390	Battery - Dry, 12V, 450 CCA Group 70 Case Size, Dual Terminal	—
23	57414	Bracket - Battery Hold Down	1
24	57367-S	Plate - Engine Mount	1
25	57587	Plug - Black Plastic, 4 inches (10.2 cm)	1
26	8177	Screw - HHC, 1/2 -13 x 1.5 inches, GR 5	4
27	13066	Washer - Flat, Hardened, 1/2 inch (0.53 x 1.06 x 0.09 inch) (1.35 x 2.7 x 0.23 cm)	4
28	6198	Nut - Nylock, 1/2 -13	4

Figure 2-F

Control Box

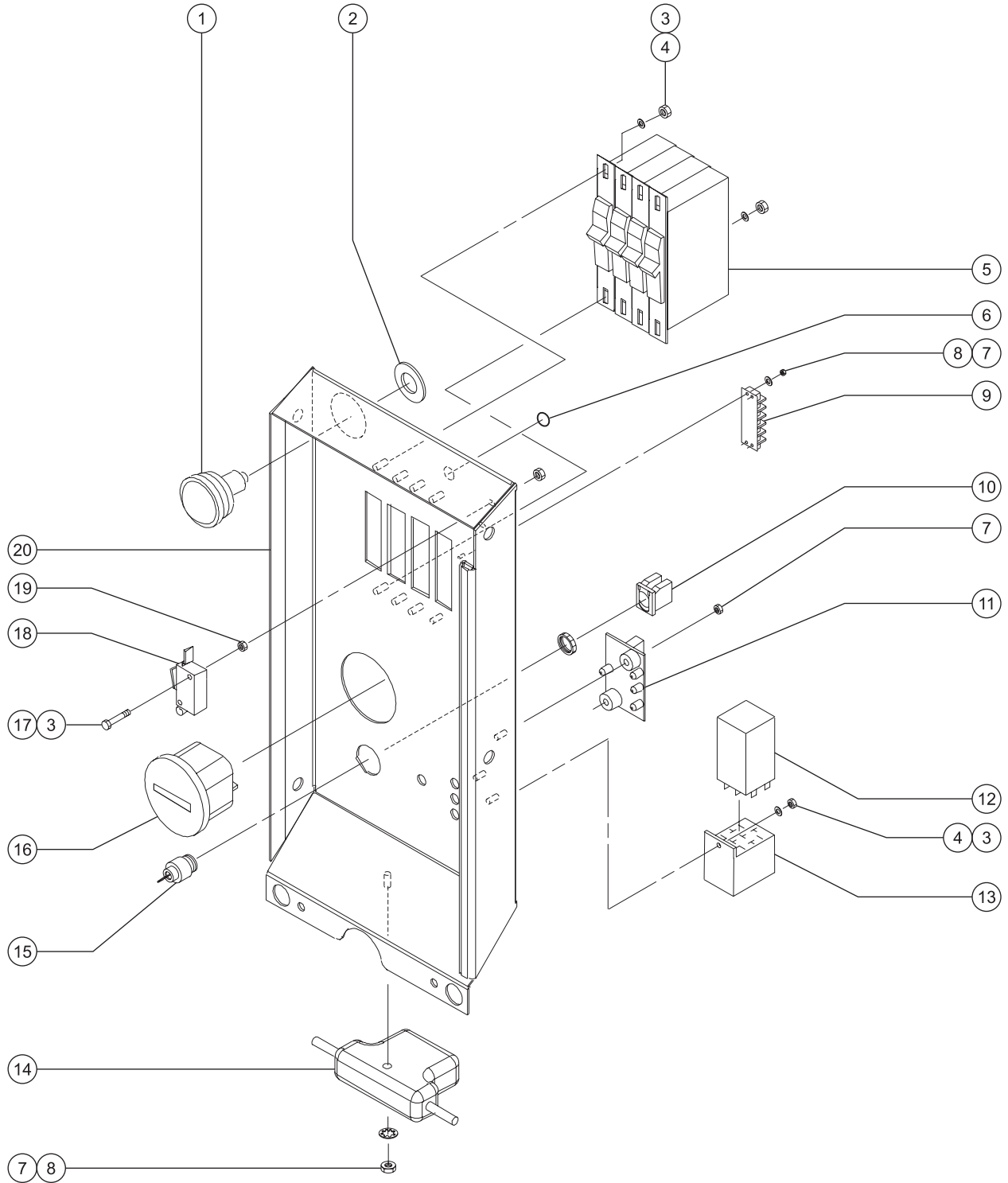


FIGURE 2-F

Index	Part No.	Description	Quantity This Figure
1	69765	Light - Control Box (includes wire)	1
2	30255	Washer - Shim, 1.27 x 2.13 x 0.062 inch (3.23 x 5.41 x 0.16 cm)	1
3	6178	Nut - Hex, 10-32	11
4	6607	Washer - Lock, Plated, #10	9
5	57450	Switch - Circuit Breaker, 120V/220V, 20A	4
6	38987	Grommet - Rubber, 0.13 I.D. x 0.38 O.D. (0.33 x 0.97 cm)	1
7	18605	Nut - Nylock, 8-32	7
8	44936	Washer - Star, External, #8	5
9	69776	Terminal Strip, 4 pole	1
10	69768	Base - Push Button, Includes Contacts	1
—	66816	Contact - N.O.	—
—	66818	Contact - N.C.	—
11	69759	Printed Circuit Board - Engine Shutdown (includes spacers)	1
12	69831	Relay - Glow Plug Timer	1
13	80040	Connector Kit - Glow Plug Relay (includes terminals)	1
—	69784	Terminal - Female, Small	3
—	69785	Terminal - Female, Medium	2
—	69786	Terminal - Female, Large	2
14	57534	Fuse Holder (includes 50A fuse)	1
—	57444	Fuse - Spade, 50A	—
15	69767	Key Switch, 2 position with base (includes 1 pair of keys)	1
—	21982	Key - Key Switch	—
—	37947	Key - Key Switch (package of 10 keys)	—
16	19506	Hour Meter, 10-80V DC	1
17	65230	Screw - PHM, 4-40 x 0.75 inch	2
18	69777	Switch - Control Box Light	1
19	40766	Nut - Nylock, 4-40	2
20	69882	Ground Control Box Assembly with Decal (includes index number 6 and weather stripping) (decals are listed in Section One)	1

Figure 2-G

Covers

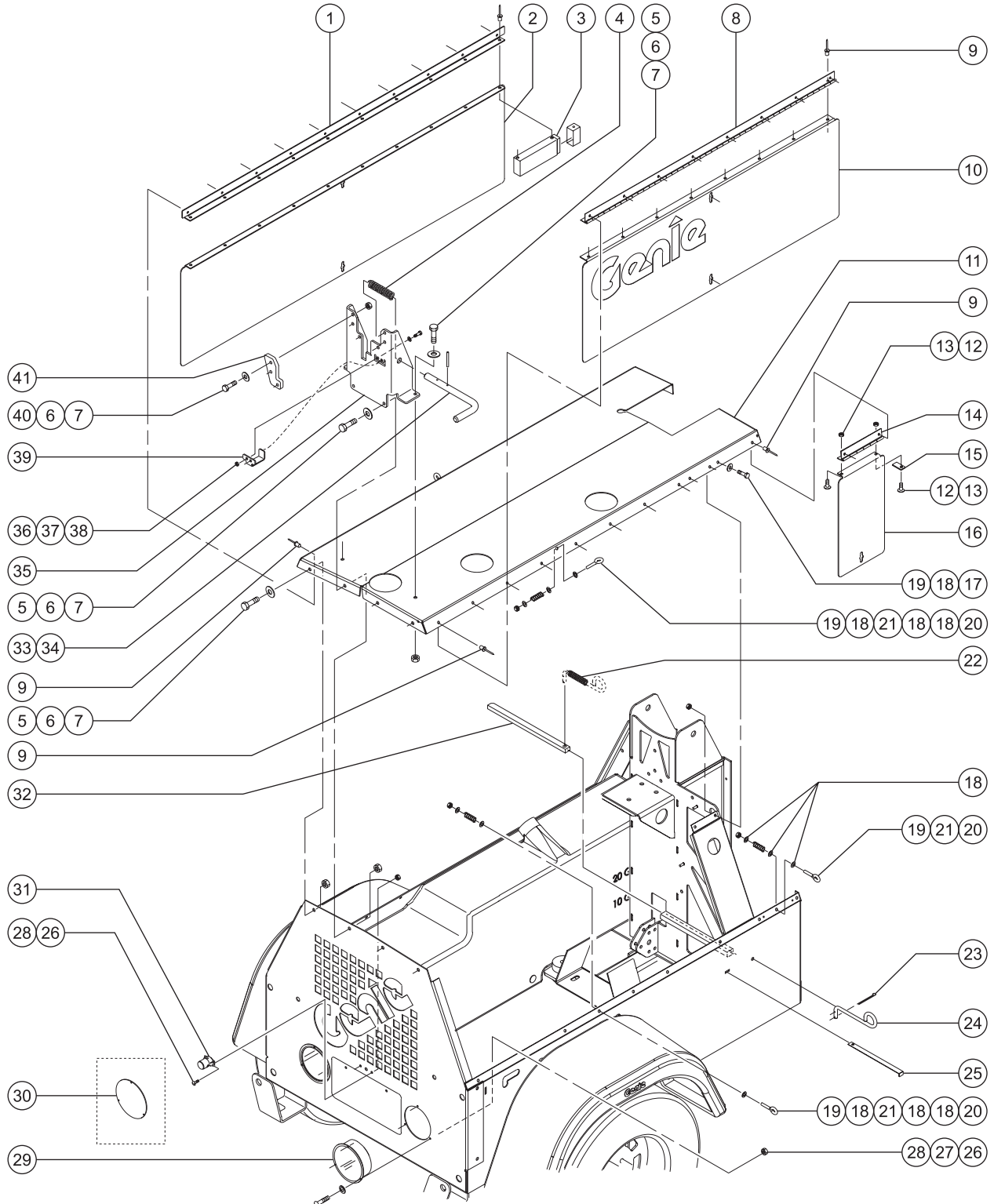


FIGURE 2-G

Index	Part No.	Description	Quantity This Figure
1	69738	Hinge - Cover, Fuel Tank Side	1
2	80108	Cover Assembly with Decals - Fuel Tank Side (includes index numbers 1, 3 and 20 each of index number 9) (decals are listed in Section One)	1
3	40267	Manual Storage Container with Decal (decals are listed in Section One)	1
—	2223	Cable Assembly - Manual Storage Container	—
4	69989	Spring - Lock Pin, Outrigger	4
5	6019	Screw - HHC, ³ / ₈ -16 x 1.25 inches, GR 5	6
6	5397	Washer - Flat, ⁵ / ₁₆ inch (0.375 x 0.875 x 0.083 inch) (0.95 x 2.22 x 0.21 cm)	12
7	4828	Nut - Nylock, ³ / ₈ -16	12
8	57416	Hinge - Cover, Controls Side	1
9	7265	Rivet - Steel, 0.25 x 0.375 inch (0.64 x 0.95 cm)	36
10	80109	Cover Assembly with Decals - Controls Side (includes index number 8 and 16 each of index number 9) (decals are listed in Section One)	1
11	80110	Cover Assembly with Decals - Top (includes 34 each of index number 9) (decals are listed in Section One)	1
12	6889	Nut - Low Profile Nylock, ¹ / ₄ -20	2
13	7339	Screw - HHC, ¹ / ₄ -20 x 0.5 inch, GR 5	2
14	69735	Hinge - Cover, Controls	1
15	69778	Actuator - Control Box, Light	1
16	80111	Cover Assembly with Decals - Control Box (includes 1 each of index number 9 and index numbers 12 through 15) (decals are listed in Section One)	1
17	10107	Screw - HHC, ⁵ / ₁₆ -18 x 0.75 inch, GR 5	2
18	6638	Washer - Flat, ¹ / ₄ inch (0.312 x 0.734 x 0.065 inch) (0.79 x 1.86 x 0.17 cm)	16
19	6002	Nut - Low Profile Nylock, ⁵ / ₁₆ -18	6
20	69754	Eyebolt, ⁵ / ₁₆ -18 x 1 inch	5
21	69814	Spring - Cover Latch	5
22	67688	Spring - Mast Lock	1
23	12016	Pin - Cotter, 0.125 x 0.75 inch	1
24	69654	Handle - Mast Lock	1

This parts list continues. Please turn the page.

FIGURE 2-G

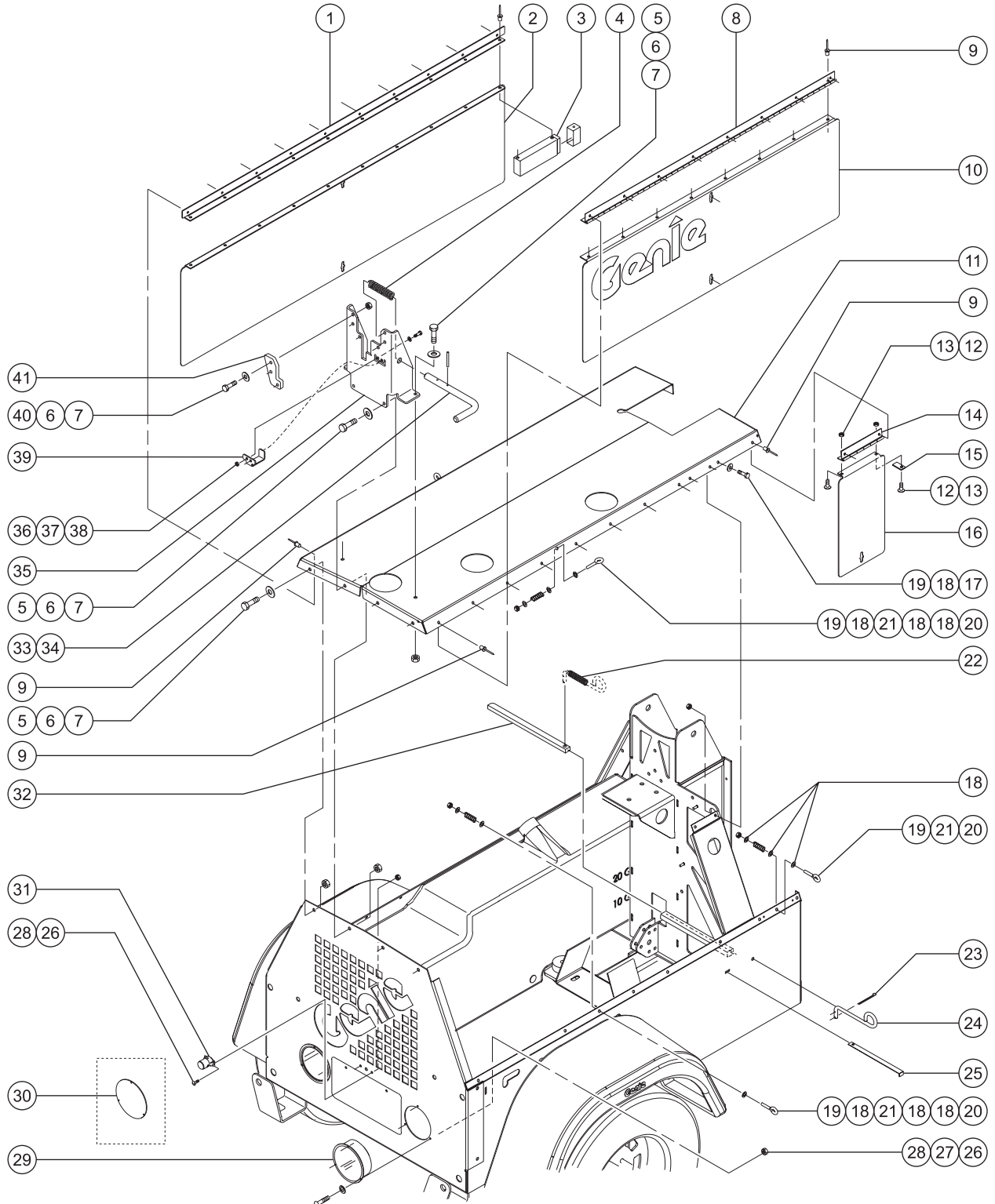


FIGURE 2-G

Index	Part No.	Description	Quantity This Figure
25	57414	Bracket - Battery Hold Down	1
26	15513	Nut - Hex, 10-32	8
27	6607	Washer - Lock, Plated, #10	6
28	49816	Screw - PHM, 10-32 x 0.75 inch, GR 2	8
29	80371	Taillight Kit (includes retaining ring and wire connector)	2
30	57413	Plate - Taillight Hole Cover (optional)	2
31	57398	Light - License Plate	1
32	69673	Plate - Mast Lock	1
33	69667	Pin - Mast Hold Down	1
34	69650	Pin - Roll, 0.19 x 2 inches	1
35	80274	Bracket Assembly - Mast Cradle (includes 6 each of index numbers 6 and 7, index number 40 and 41)	1
36	5365	Nut - Nylock, 10-24	2
37	6146	Washer - Flat, Plated, #10	2
38	29752	Screw - HHC, 10-24 x 0.75 inch	2
39	69985-S	Bracket - Mast Tie Down	1
40	8516	Screw - HHC, 3/8 -16 x 1.5 inches, GR 5	6
41	69693	Wear Pad - Mast Cradle	2

Figure 2-H

Winch Assembly

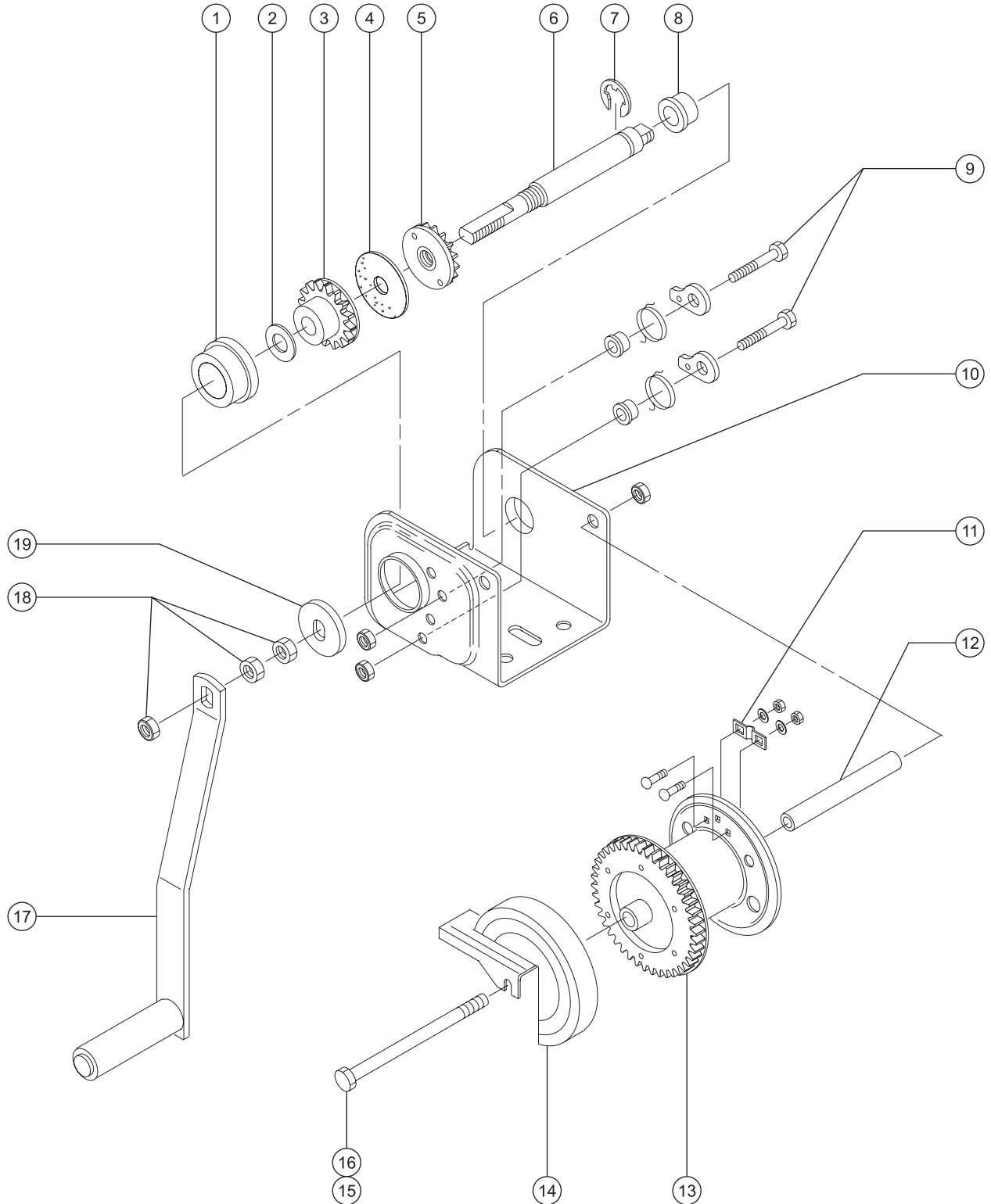


FIGURE 2-H

Index	Part No.	Description	Quantity This Figure
—	69757	Winch - Mast Pivot	—
—	14085	Winch - Mast Extension (does not include handle or cover)	—
1	6204	Bushing - Large	1
2	14190	Washer - Thrust	1
3	14191	Ratchet Gear Assembly	1
4	5157	Friction Disc	1
5	14193	Pinion Gear Assembly	1
6	14194	Pinion Shaft	1
7	6200	Retaining Ring	1
8	6199	Bushing - Small	1
9	5156	Kit - Ratchet Pawl	2
10	Ref.	Winch Housing	—
11	6190	Kit - Cable Keeper	1
12	5320	Spacer - Frame	1
13	Ref.	Winch Drum	—
14	5376	Cover - Winch Drum	1
15	12981	Screw - HHC, 3/8 -16 x 4.5 inches, GR 5	1
16	12012	Nut - Lock, 3/8 -16	1
17	16342	Handle - Winch, 11 inches (28 cm)	1
18	6034	Nut - Hex Jam, 1/2 -13	3
19	14189	Pinion Plate	1

Figure 2-1

Power Cables

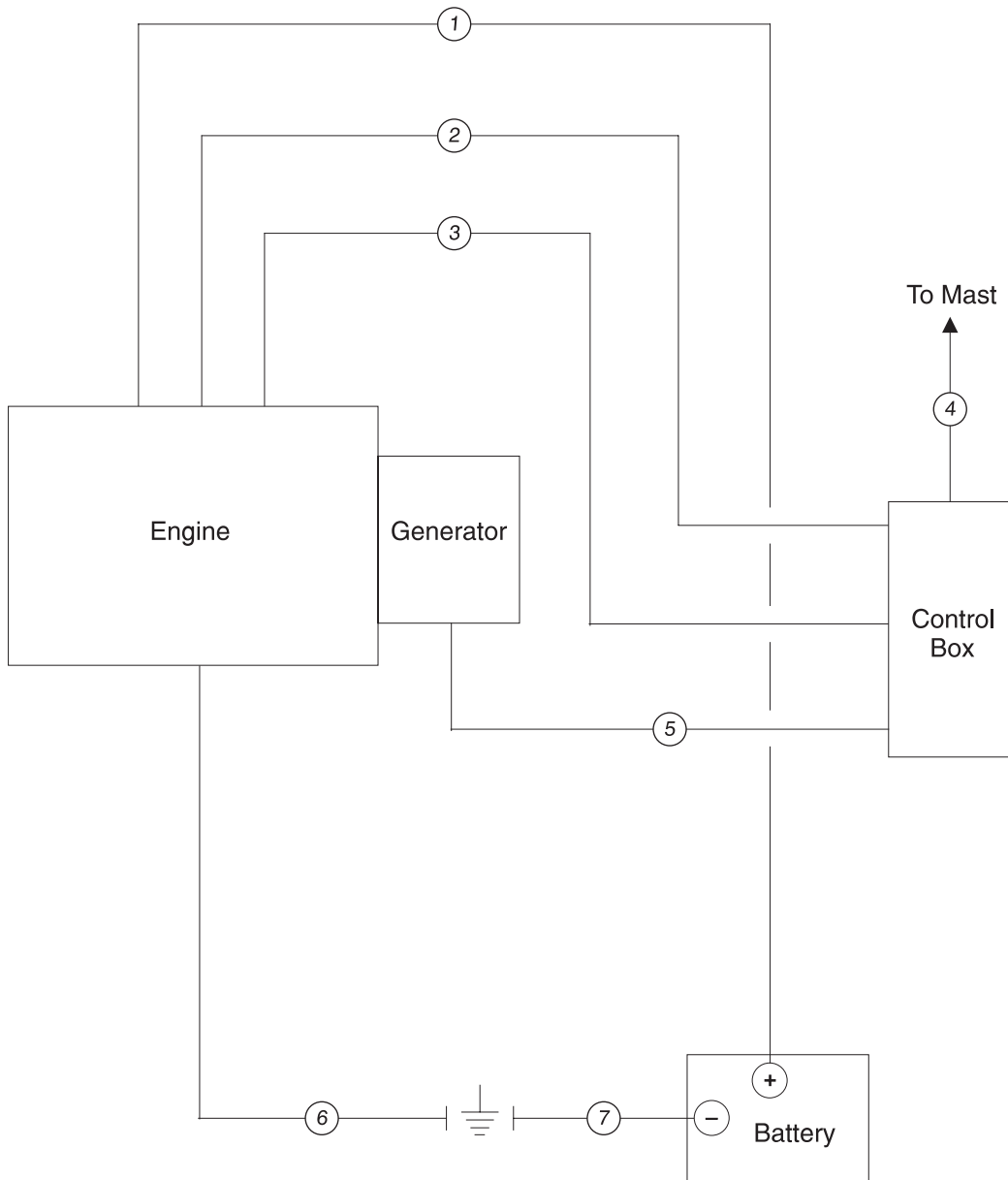


FIGURE 2-I

Index	Part No.	Description	Quantity This Figure
1	85257	Cable Assembly - Positive, 40 inches (101.6 cm)	1
2	57583	Electrical Cord, 10 Gauge (5.26 mm ²) 4 conductor	86 inches (218.4 cm)
—	57441	Squeeze Connector, 3/4 inch NPT (not included)	—
—	80040	Connector Kit - Glow Plug Relay (not included)	—
3	57577	Electrical Cord, 16 Gauge (1.307 mm ²) 12 conductor	84 inches (213.4 cm)
—	57441	Squeeze Connector, 3/4 inch NPT (not included)	—
—	80040	Connector Kit - Glow Plug Relay (not included)	—
4	57582	Electrical Cord, 16 Gauge (1.307 mm ²) 7 conductor	384 inches (975.4 cm)
—	7057	Squeeze Connector, 1/2 inch NPT (not included)	—
5	57531	Electrical Cord, 10 Gauge (5.26 mm ²) 2 conductor	56 inches (142 cm)
—	57441	Squeeze Connector, 3/4 inch NPT (not included)	—
6	85259	Cable Assembly - Negative, 19 inches (48.3 cm)	1
7	85258	Cable Assembly - Negative, 9 inches (23 cm)	1

Section Three

Engine and Generator Components

Figure 3-A

Deutz Diesel Engine, View 1

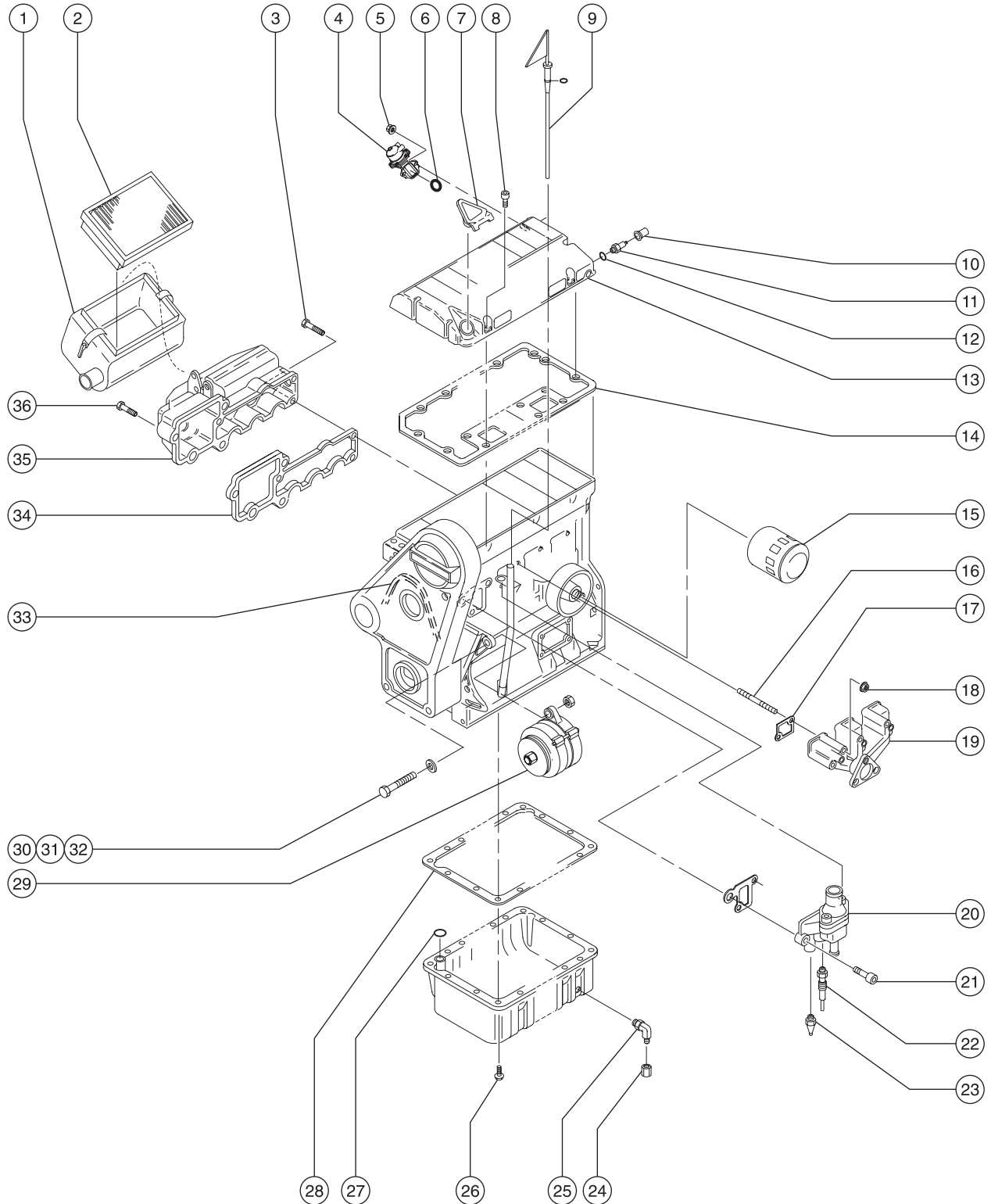


FIGURE 3-A

Index	Part No.	Description	Quantity	This Figure
1	80054	Housing - Air Cleaner (Deutz part number 1285-1361)	1	
2	80124	Element - Air Cleaner (Deutz part number 1285-1312)	1	
3	85047	Screw - SHC, M8 x 1.25 x 65 mm	6	
4	80285	Fuel Pump (Deutz part number 1285-0894)	1	
5	85057	Nut - Flange, Hex, M8 (Deutz part number 1285-1257)	2	
6	85007	O-Ring, Fuel Pump (Deutz part number 1285-0215)	1	
7	85000	Cap - Oil Filler (Deutz part number 1285-0102)	1	
8	85049	Screw - SHC, M6 x 1 x 20 mm	12	
9	85001	Dipstick - Engine Oil (Deutz part number 1285-0051)	1	
10	85002	Cover - Rubber, Oil Pressure Sensor (Deutz part number 1285-0759)	1	
11	80278	Switch, Oil Pressure (Deutz part number 1285-1334	1	
12	85003	Seal - Rubber, Oil Pressure Sensor (Deutz part number 1285-0032)	1	
13	85004	Cover - Valve (Deutz part number 1285-0966) (includes oil filler cap)	1	
14	85005	Gasket - Valve Cover (Deutz part number 1285-0327)	1	
15	80053	Element - Oil Filter (Deutz part number 1285-0312)	1	
16	80121	Stud - Exhaust Manifold, M8 x 1.25 x 45 mm	6	
17	85046	Gasket - Exhaust Manifold (Deutz part number 1285-0598)	6	
18	85058	Nut - Flange, Hex, M8 (Deutz part number 1285-1222)	6	
19	85050	Manifold - Exhaust (Deutz part number 1285-0519)	1	
20	Ref.	Housing - Thermostat	—	
—	80282	Thermostat (Deutz part number 1285-0152)	1	
21	85051	Screw - SHC, M8 x 1.25 x 30 mm	2	
22	85008	Glow Plug (Deutz part number 1285-1297)	1	
23	80279	Sensor - Coolant, Temperature (Deutz part number 1285-0516)	1	

This parts list continues. Please turn the page.

FIGURE 3-A

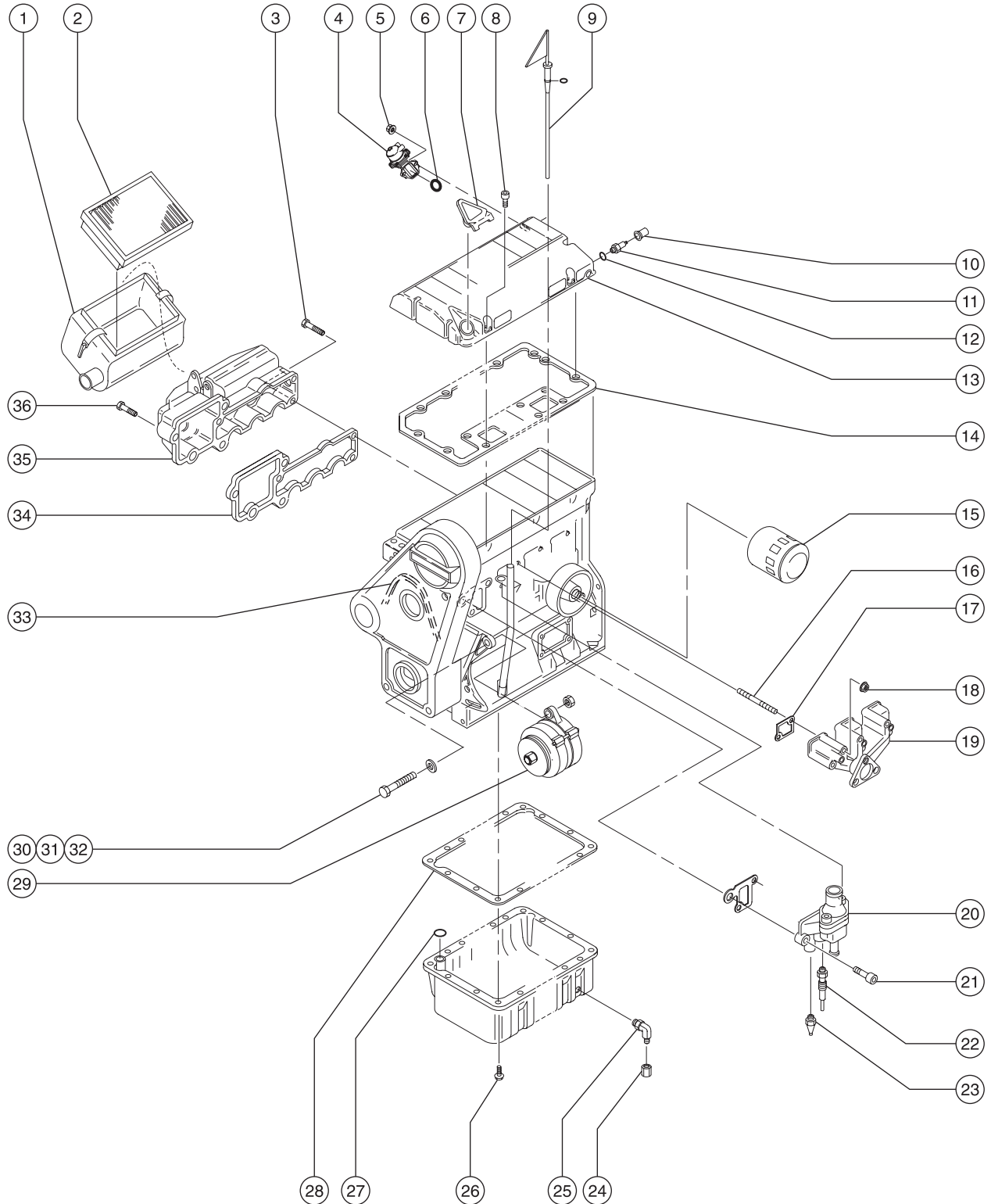


FIGURE 3-A

Index	Part No.	Description	Quantity This Figure
24	69775	Fitting - Cap, 1/2 inch (SAE 520112-8)	1
25	69774	Fitting, 90° Elbow, 1/2 inch x M18 (SAE 52M0287)	1
26	85052	Screw - Flange, HHC, M6 x 1 x 12 mm	18
27	85009	O-Ring, Dip Stick Tube (Deutz part number 1285-0058)	1
28	85010	Gasket - Oil Pan (Deutz part number 1285-0307)	1
29	85011	Alternator, 12V, 45A (Deutz part number 1285-0742)	1
30	85053	Screw - HHC, M10 x 1.5 x 70 mm (Deutz part number 1285-0018)	2
31	85054	Washer - Flat, M10 (Deutz part number 1285-0019)	2
32	85055	Nut - Hex, M10 (Deutz part number 1285-0021)	2
33	80283	Timing Belt (Deutz part number 1285-1205)	1
34	85012	Gasket - Intake Manifold (Deutz part number 1285-0382)	1
35	85056	Manifold - Intake (Deutz part number 1285-0382)	1
36	85048	Screw - SHC, M8 x 1.25 x 40 mm	2

Figure 3-B

Deutz Diesel Engine, View 2

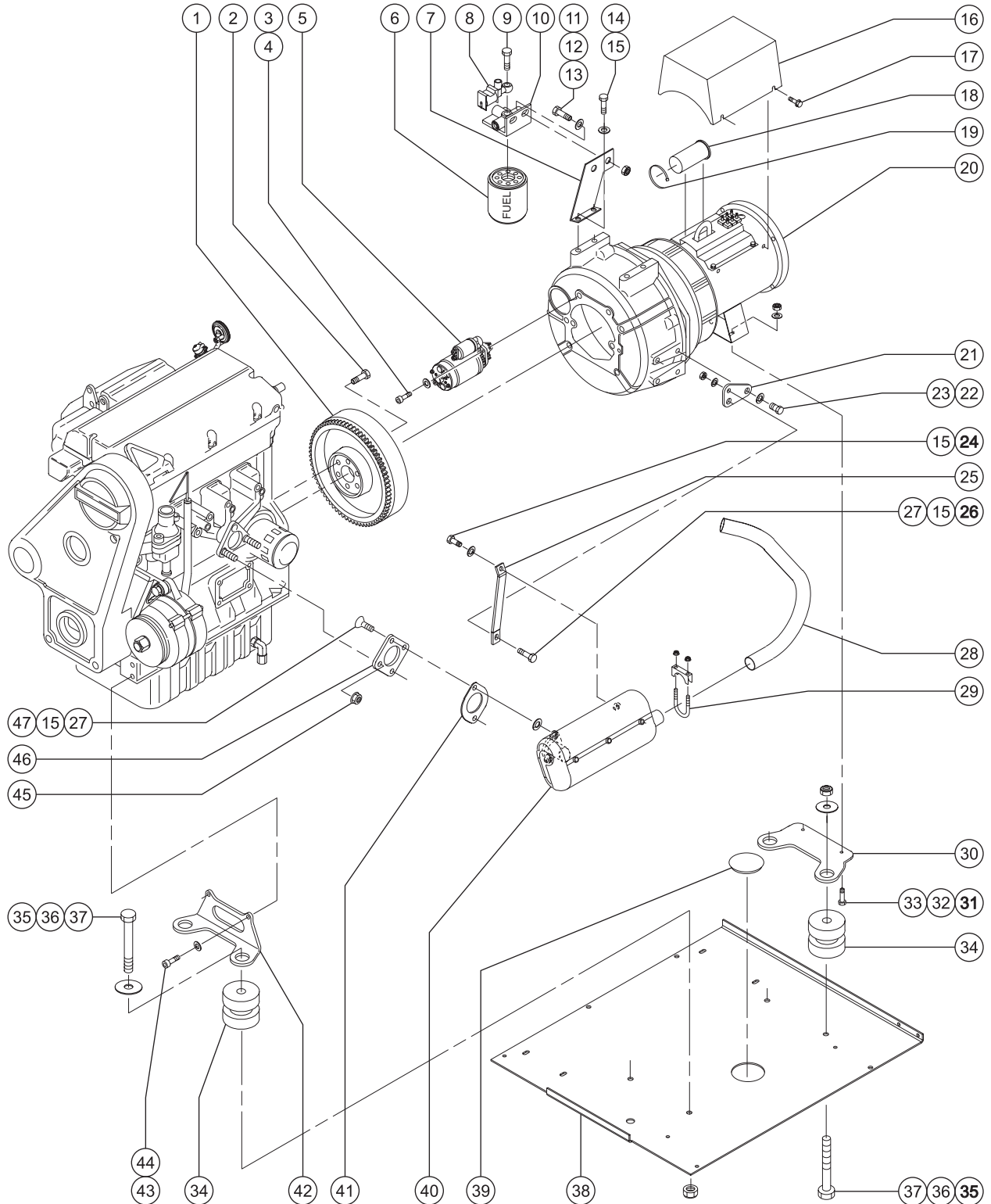


FIGURE 3-B

Index	Part No.	Description	Quantity This Figure
1	85013	Flywheel (Deutz part number 1285-1201)	1
2	85059	Screw - HHC, M10 x 1.5 x 35 mm (Deutz part number 1285-0499)	5
3	61110	Screw - HHC, M10 x 1.5 x 30 mm, GR 12.9	2
4	22699	Washer - Flat, M10	2
5	85014	Starter, 12V DC, 45A (Deutz part number 1285-0029)	1
—	85015	Solenoid - Starter (Deutz part number 1285-8930)	—
6	69826	Filter - Fuel (Deutz part number 1285-0347)	1
7	69742	Bracket - Fuel Filter Mount	1
8	85016	Valve - Solenoid, Fuel (Deutz part number 1285-0340)	1
9	85091	Screw - Hollow, HHC, M10 x 1.5 x 30 mm (Deutz part number 1285-0257)	1
—	85094	O-Ring, Hollow Screw (Deutz part number 1285-0258)	—
10	69825	Filter Assembly - Fuel (Deutz part number 1285-0342) (includes index number 6)	1
11	6019	Screw - HHC, ³ / ₈ -16 x 1.25 inches, GR 5	2
12	5397	Washer - Flat, ⁵ / ₁₆ inch (0.375 x 0.875 x 0.083 inch) (0.95 x 2.22 x 0.21 cm)	2
13	4828	Nut - Nylock, ³ / ₈ -16	2
14	22586	Screw - HHC, M8 x 1.25 x 20 mm, GR 8.8	2
15	49408	Washer - Lock, M8	6
16	85017	Cover - Capaciter, Generator	1
17	85092	Screw - Flange, HHC, M5 x 0.8 x 12 mm	6
18	85018	Capaciter - Generator	1
19	28443	Cable Tie, 11.5 inches (29.2 cm)	1
20	57324	Generator	1
21	80093	Plate - Exhaust Support	1
22	27585	Screw - HHC, M12 x 1.75 x 20 mm	2
23	49409	Washer - Lock, M12	2
24	49378	Screw - HHC, M8 x 1.25 x 16 mm	1
25	80131	Bracket - Exhaust Support	1

This parts list continues. Please turn the page.

FIGURE 3-B

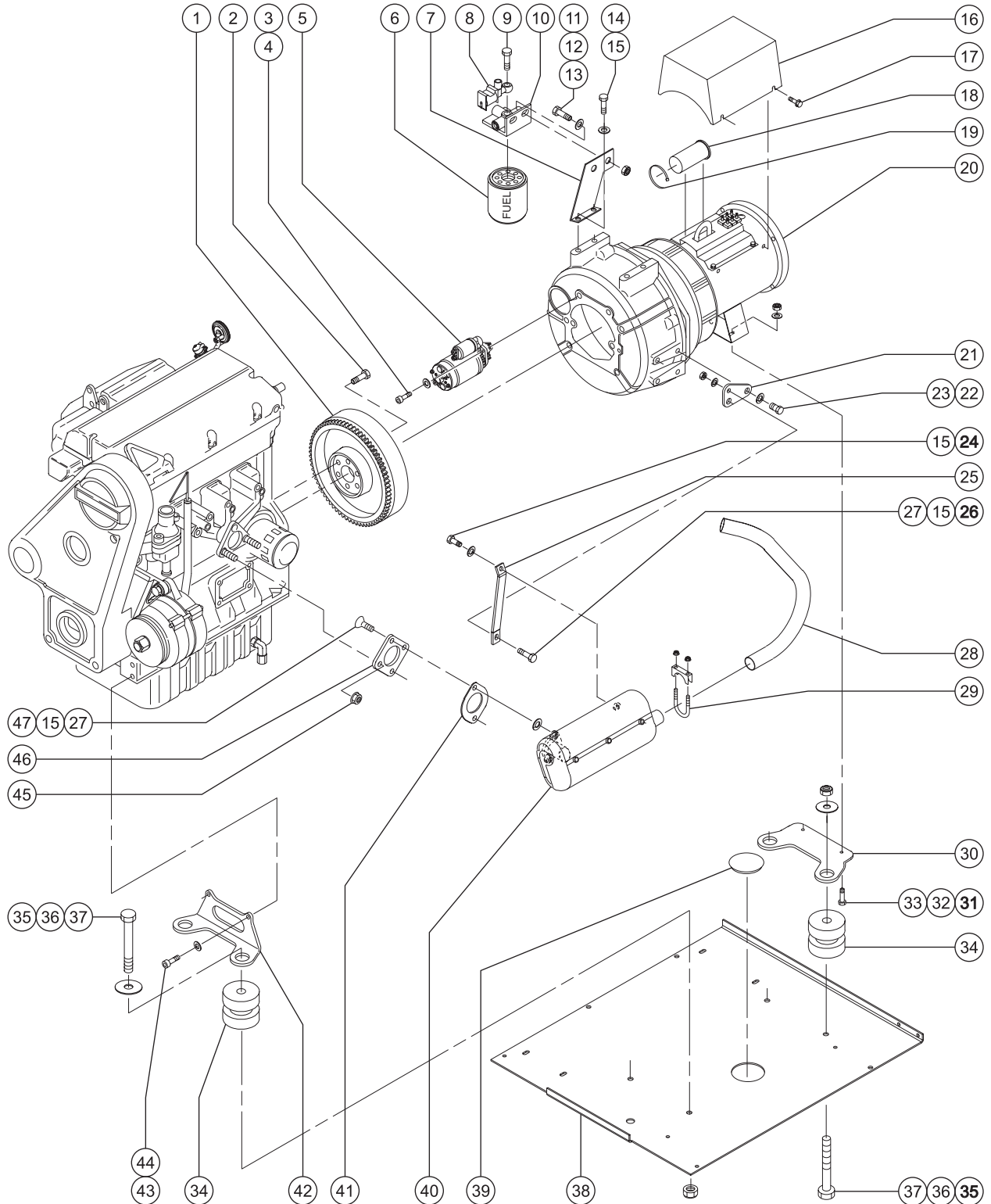


FIGURE 3-B

Index	Part No.	Description	Quantity This Figure
26	49379	Screw - HHC, M8 x 1.25 x 25 mm, GR 8.8	1
27	22571	Nut - Hex, M8	1
28	57745	Exhaust Pipe	1
29	32064	Clamp - Muffler, 1.75 inches	1
30	57418	Plate - Engine Mount, Rear	1
31	8177	Screw - HHC, 1/2 -13 x 1.5 inches, GR 5	2
32	6095	Washer - Flat, 1/2 inch (0.562 x 1.375 x 0.109 inch) (1.43 x 3.49 x 0.28 cm)	2
33	6198	Nut - Nylock, 1/2 -13	2
34	57658	Isolator - Vibration, Large, Yellow/White (pair)	4
35	59746	Screw - HHC, 5/8 -11 x 4 inches, GR 5	4
36	6035	Washer - Flat, 5/8 inch (0.688 x 1.75 x 0.134 inch) (1.75 x 4.45 x 0.34 cm)	4
37	6024	Nut - Nylock, 5/8 -11	4
38	57367	Plate - Engine Mount	1
39	57587	Plug - Black Plastic, 4 inches	1
40	69828	Muffler	1
41	69830	Gasket - Muffler (Deutz part number 1285-0387)	1
42	57419	Bracket - Engine Mount, Front	1
43	85093	Screw - SHC, M12 x 1.75 x 25 mm	2
44	67722	Washer - Flat, M12	2
45	85058	Nut - Flange, Hex, M8 (Deutz part number 1285-1222)	2
46	69763	Plate - Muffler Adapter	1
47	49397	Screw - FHS, M8 x 1.25 x 25 mm, GR 9.8	2

Figure 3-C

Deutz Diesel Engine, View 3

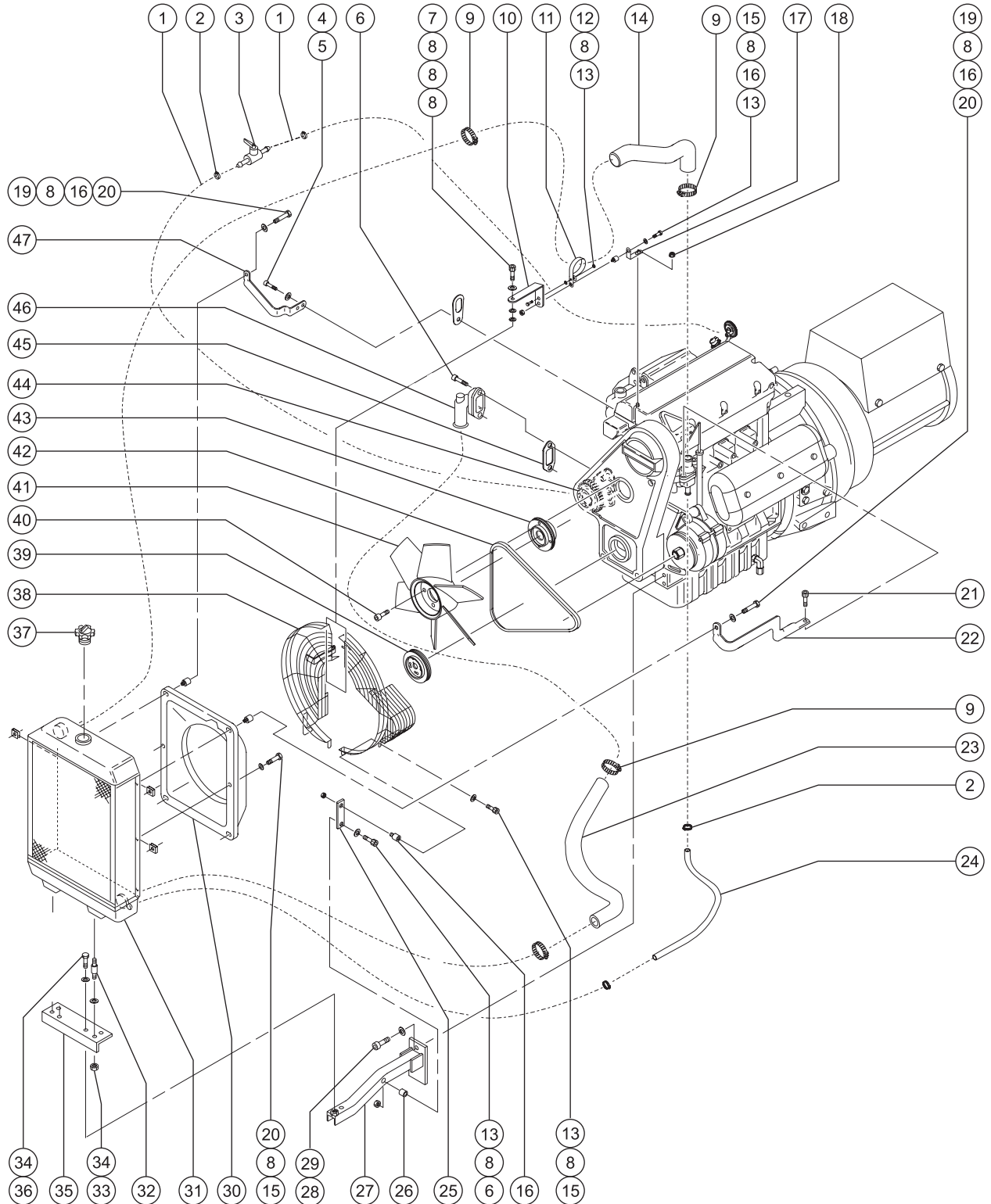


FIGURE 3-C

Index	Part No.	Description	Quantity This Figure
1	30490	Hose - Fuel Line, 0.25 inch (SAE 30R7)	2 each @ 13 inches (33 cm)
2	44909	Clamp - Hose, 0.25 inch (0.64 cm)	4
3	69734	Valve - Shut-Off, Fuel	1
4	85095	Screw - HHC, M8 x 1.25 x 65 mm, GR 8.8	1
5	49408	Washer - Lock, M8	1
6	85096	Screw - SHC, M6 x 1 x 35 mm, GR 12.9	3
7	85049	Screw - SHC, M6 x 1 x 20 mm, GR 12.9	1
8	75382	Washer - Flat, M6	10
9	35434	Clamp - Hose, 2 inch (5.1 cm)	4
10	85019	Bracket - Radiator Guard (Deutz part number 1285-0096)	1
11	85102	Clamp - Upper Radiator Hose	1
12	49375	Screw - HHC, M6 x 1 x 16 mm, GR 8.	1
13	55017	Nut - Hex, M6	3
14	85020	Hose - Radiator, Upper (Deutz part number 1285-0649)	1
15	85097	Screw - SHC, M6 x 1 x 10 mm, GR 12.9	4
16	85024	Isolator - Vibration, Radiator Guard (Deutz part number 1285-1242)	3
17	85028	Bracket - Fan Guard (Deutz part number 1285-0189)	1
18	85098	Nut - Flange, Hex, M6	1
19	56123	Screw - HHC, M6 x 1 x 10 mm, GR 8.8	2
20	85061	Nut - Spring Clip, M6	6
21	85099	Screw - SHC, M8 x 1.25 x 20 mm, GR 12.9	1
22	85021	Bracket - Radiator Baffle (Deutz part number 1285-1028)	1
23	85022	Hose - Radiator, Lower (Deutz part number 1285-0650)	1
24	85023	Hose - Temperature Sensor (Deutz part number 1285-0362)	1

This parts list continues. Please turn the page.

FIGURE 3-C

Index	Part No.	Description	Quantity This Figure
25	85025	Bracket - Fan Guard (Deutz part number 1285-0992)	1
26	85062	Spacer - Radiator Mount Bracket (Deutz part number 1285-1242)	1
27	85026	Bracket - Radiator Mount (Deutz part number 1285-0632)	2
28	85100	Screw - SHC, M12 x 1.75 x 16 mm, GR 12.9	2
29	49409	Washer - Lock, M12	2
30	85027	Shroud - Fan (Deutz part number 1285-0343)	1
31	69829	Radiator (Deutz part number 1285-0631)	1
32	85029	Isolator - Vibration, Radiator (Deutz part number 1285-0358)	2
33	25368	Nut - Nylock, M8	2
34	75417	Washer - Flat, M8	2
35	85030	Bracket - Radiator Mount, Front (Deutz part number 1285-0636)	1
36	49378	Screw - HHC, M8 x 1.25 x 16 mm, GR 8.8	2
37	85031	Cap - Radiator (Deutz part number 1285-1006)	1
38	85032	Guard - Fan, Tank Side (Deutz part number 1285-0997)	1
—	85033	Guard - Fan, Alternator Side (Deutz part number 1285-0994)	—
39	85034	Pulley - Crankshaft (Deutz part number 1285-0424)	1
40	85101	Screw - SHC, M6 x 1 x 65, GR 12.9	4
41	85045	Fan - Radiator (Deutz part number 1285-0551)	1
42	80284	Belt, V (Deutz part number 1285-0745)	1
43	85035	Pulley - Fan (Deutz part number 1285-0142)	1
44	85036	Water Pump (Deutz part number 1285-1203)	1
—	85037	Gasket - Water Pump (Deutz part number 1285-0140)	—
—	85063	Screw - HHC, M8 x 1.25 x 35 mm	2
—	85064	Screw - SHC, M8 x 1.25 x 16 mm	2
45	85038	Gasket - Water Inlet Housing (Deutz part number 1285-0139)	1
46	85039	Housing - Water Inlet (Deutz part number 1285-0624)	1
47	85040	Bracket - Fan Shroud (Deutz part number 1285-1029)	1

Section Four

Mast Components

Figure 4-A

Mast Assembly - View 1, Number 1 Mast Tube Installation

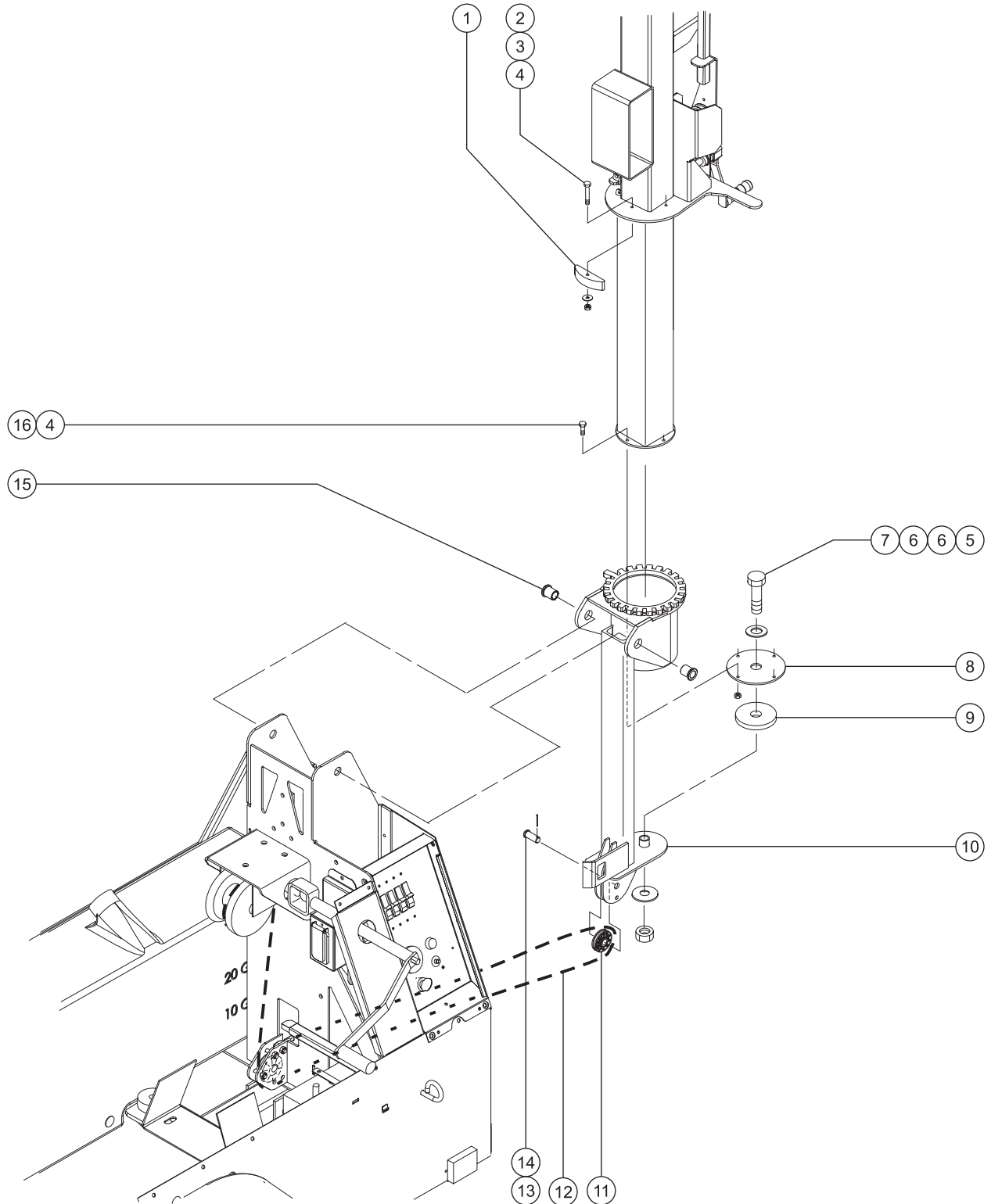


FIGURE 4-A

Index	Part No.	Description	Quantity This Figure
1	69682	Wear Pad - Mast Rotate	4
2	7339	Screw - HHC, 1/4 -20 x 0.5 inch, GR 5	4
3	6638	Washer - Flat, 1/4 inch (0.312 x 0.734 x 0.065 inch) (0.79 x 1.86 x 0.17 cm)	4
4	6091	Nut - Nylock, 1/4 -20	8
5	51428	Screw - HHC, 3/4 -10 x 2.75 inches, GR 5	1
6	6564	Washer - Shim, 0.75 x 1.125 x 0.093 inch (1.91 x 2.86 x 0.24 cm)	2
7	10258	Nut - Nylock, 3/4 -10	1
8	69684	Plate - End Cap, Number 1 Mast Tube	1
9	69687	Wear Pad - Number 1 Mast Tube	1
10	69885	Pivot Assembly - Number 1 Mast Tube (includes index number 14)	1
11	57316	Pulley - Mast Cable	1
12	80107	Cable Assembly - Winch, Mast Pivot	1
13	69680	Pin - Clevis, 0.63 x 1.5 inches (1.6 x 3.8 cm)	1
14	6094	Pin - Cotter, 0.125 x 1 inch	1
15	42641	Bearing - Flange, 0.75 x 1 x 1.25 inches (1.91 x 2.54 x 3.18 cm)	2
16	6090	Screw - HHC, 1/4 -20 x 0.75 inch, GR 5	4

Figure 4-B

Mast Assembly - View 2, Number 1 Mast Tube Assembly

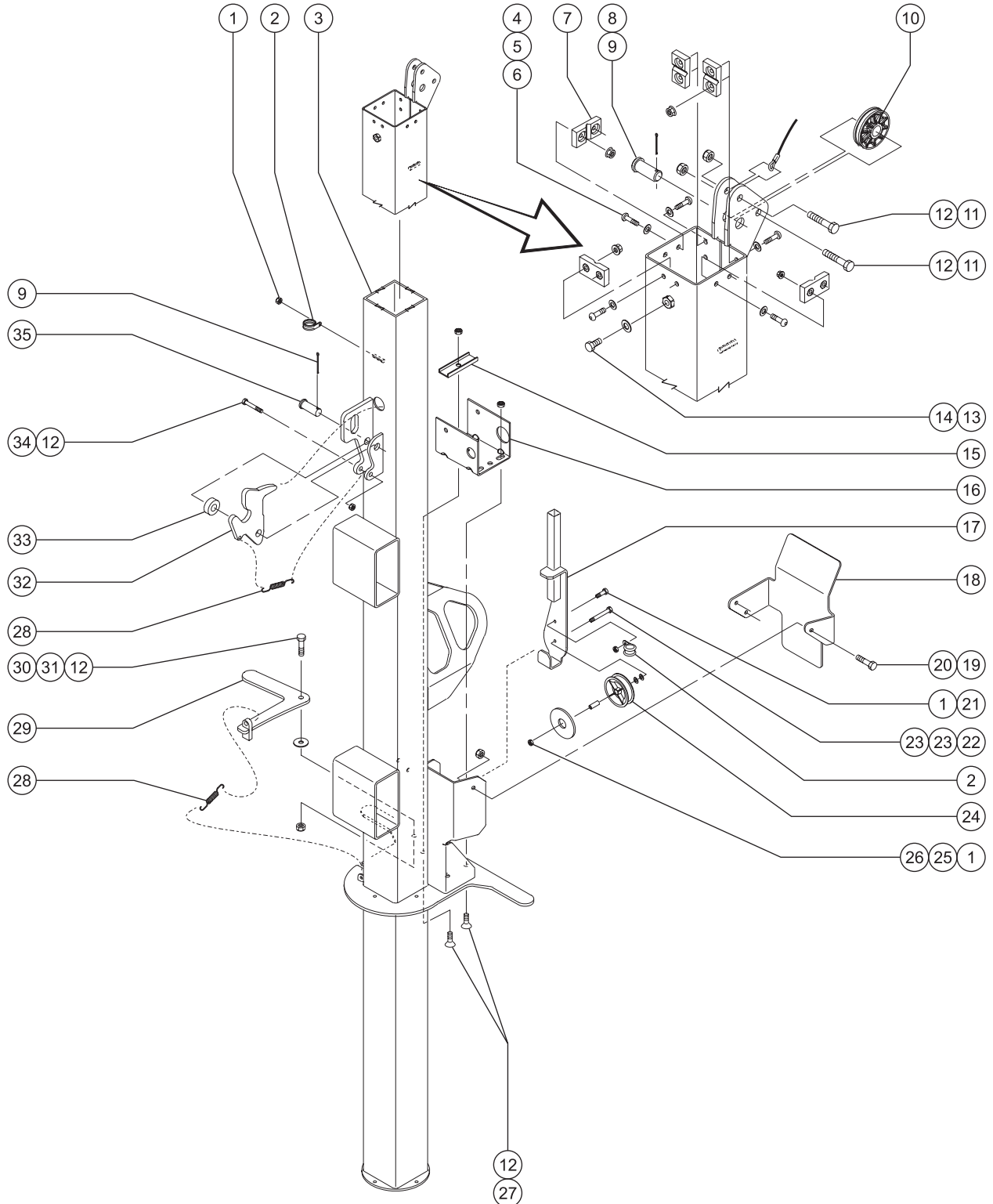


FIGURE 4-B

Index	Part No.	Description	Quantity This Figure
1	6091	Nut - Nylock, 1/4 -20	8
2	6833	Clamp - Rubber Cushioned, 0.5 inch	7
3	80117	Number 1 Mast Tube Assembly with Decals (includes index numbers 4 through 11, 2 each of index number 12 and index numbers 13 and 14) (decals are listed in Section One)	1
4	7339	Screw - HHC, 1/4 -20 x 0.5 inch, GR 5	10
5	6356	Washer - Lock, 1/4 inch	10
6	18504	Nut - Locking Flange, 1/4 -20	10
7	69681	Wear Pad, 1.88 x 1 x 0.34 inch (4.78 x 2.54 x 0.86 cm)	5
8	69680	Pin - Clevis, 0.63 x 1.5 inches (1.6 x 3.8 cm)	1
9	6094	Pin - Cotter, 0.125 x 1 inch	1
10	57316	Pulley - Cable	1
11	13918	Screw - HHC, 3/8 -16 x 1.75 inches, GR 8	2
12	4828	Nut - Nylock, 3/8 -16	7
13	8255	Screw - HHC, 3/8 -16 x 0.75 inch, GR 5	1
14	6021	Washer - Lock, 3/8 inch (0.382 x 0.683 x 0.094 inch) (0.97 x 1.73 x 0.24 cm)	1
15	15657P-S	Plate - Winch Reinforcement	1
16	Ref.	Winch Housing	—
17	80118	Tilt Linkage Assembly with Decal (refer to Figure 4-D) (decals are listed in Section One)	1
18	80094	Bracket - Guide, Tilt Linkage Assembly	1
19	49819	Screw - PHM, 10-32 x 0.5 inch, GR 2	3
20	6178	Nut - Nylock, 10-32	3
21	6888	Screw - HHC, 1/4 -20 x 1 inch, GR 5	1
22	6145	Screw - HHC, 1/4 -20 x 1.5 inches, GR 5	1
23	25926	Washer - Flat, M6	2

This parts list continues. Please turn the page.

FIGURE 4-B

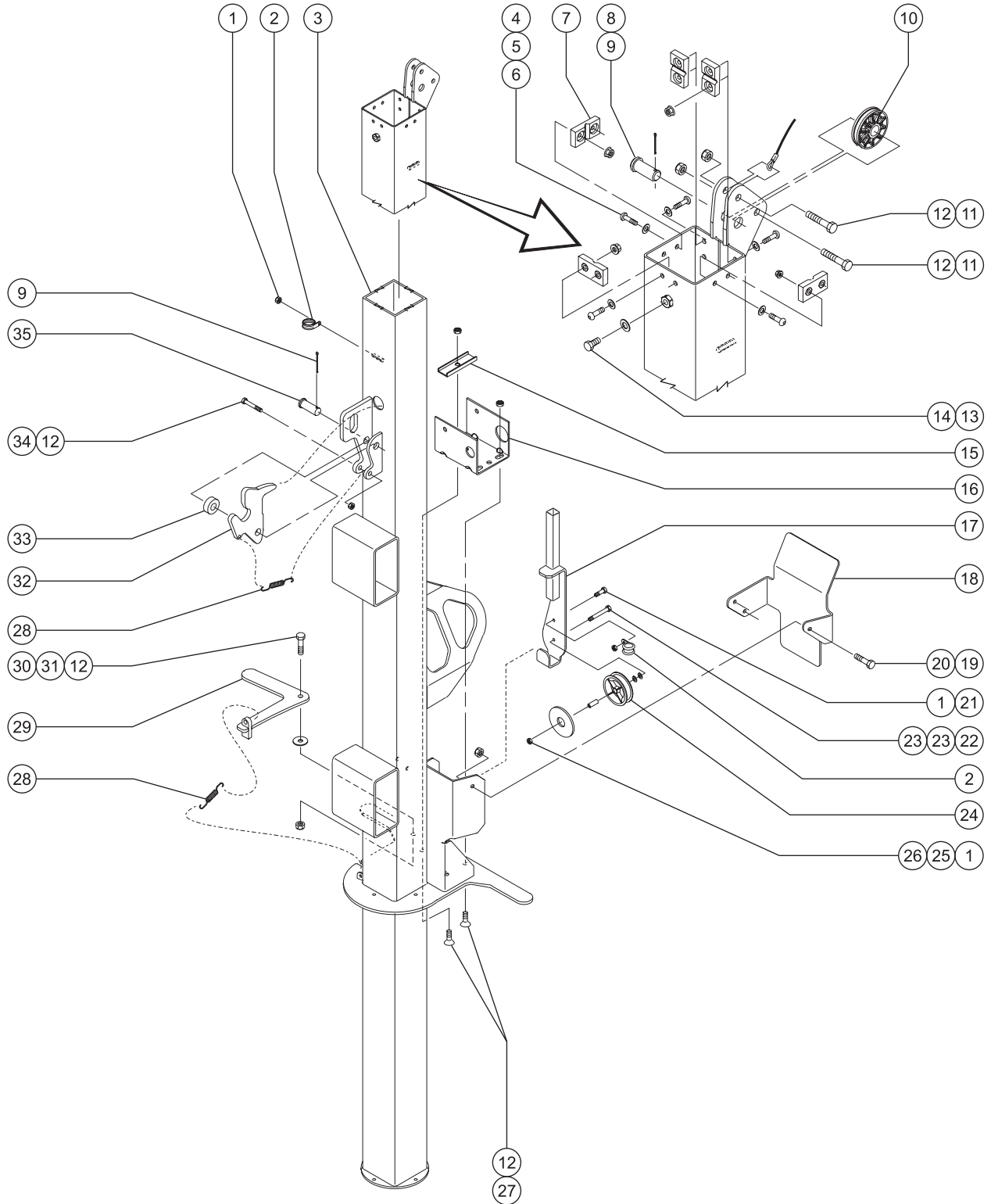


FIGURE 4-B

Index	Part No.	Description	Quantity This Figure
24	23394	Pulley - Control Cable	1
25	80324	Guard - Pulley, Control Cable	1
26	40735	Spacer - Pulley, 0.25 I.D. x 0.38 O.D. x 0.88 inch (0.64 x 0.97 x 2.24 cm)	1
27	54074	Screw - FHS, 3/8 -16 x 1 inch	3
28	48075	Spring - Mast Rotate Handle	2
29	69708-S	Weldment - Handle, Mast Rotate	1
30	6019	Screw - HHC, 3/8 -16 x 1.25 inches, GR 5	1
31	11978	Washer - Flat, Nylon, 1/2 inch (0.515 x 0.875 x 0.095 inch) (1.31 x 2.22 x 0.24 cm) ...	1
32	69658	Plate - Extension Stop	1
33	69657	Wear Pad - Extension Stop, 0.625 I.D. x 1.38 O.D. x 0.5 inch (1.59 x 3.51 x 1.27 cm)	1
34	6708	Screw - HHC, 3/8 -16 x 2.25 inches, GR 5	1
35	61295	Pin - Clevis, 0.625 x 2 inches (1.59 x 5.08 cm)	1

Figure 4-C

Mast Assembly - View 3, Number 1 and 2 Mast Tube Assemblies

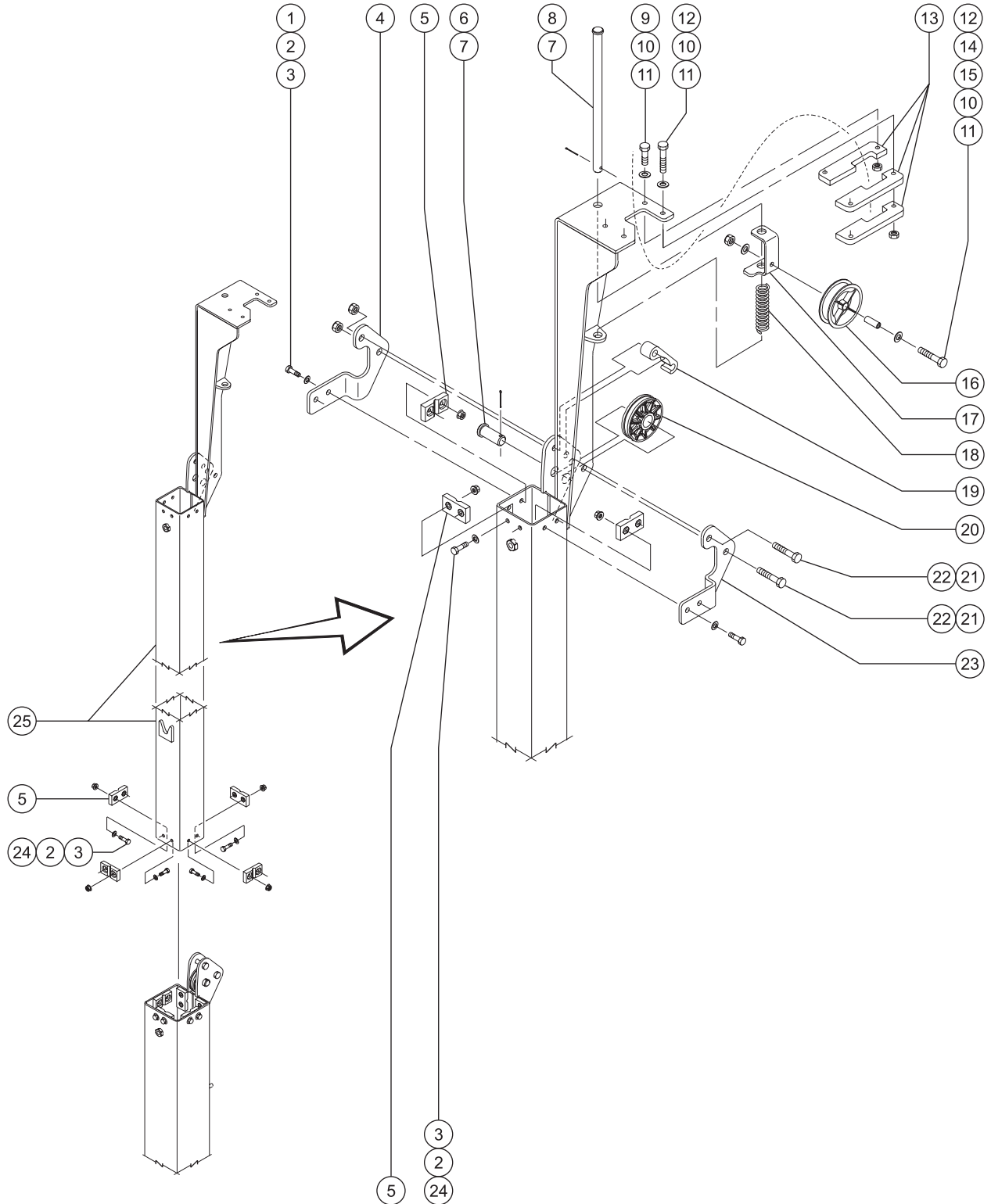


FIGURE 4-C

Index	Part No.	Description	Quantity This Figure
1	8914	Screw - HHC, 1/4 -20 x 0.63 inch, GR 5	4
2	6356	Washer - Lock, 1/4 inch	20
3	18504	Nut - Locking Flange, 1/4 -20	20
4	80206	Bracket - Stiffener, Number 2 Mast Tube, Left Side	1
5	69681	Wear Pad, 1.88 x 1 x 0.34 inch (4.78 x 2.54 x 0.86 cm)	11
6	69680	Pin - Clevis, 0.625 x 1.5 inches (1.588 x 3.81 cm)	1
7	6094	Pin - Cotter, 0.125 x 1 inch	1
8	43391	Pin - Clevis, 0.5 x 9.75 inches (1.27 x 24.77 cm)	1
9	6888	Screw - HHC, 1/4 -20 x 1 inch, GR 5	2
10	6638	Washer - Flat, 1/4 inch (0.312 x 0.734 x 0.065 inch) (0.79 x 1.86 x 0.17 cm)	12
11	6091	Nut - Nylock, 1/4 -20	4
12	6145	Screw - HHC, 1/4 -20 x 1.5 inches, GR 5	3
13	69699	Guide Pad - Actuator Stop	3
14	25926	Washer - Flat, M6	1
15	40735	Spacer - Pulley, 0.25 I.D. x 0.38 O.D. x 0.88 inch (0.64 x 0.97 x 2.24 cm)	1
16	23394	Pulley - Control Cable	1
17	69664	Bracket - Pulley Mount	1
18	69638	Spring - Control Cable Pulley	1
19	80204	Spacer - Number 2 Mast Tube	1
20	57316	Pulley - Mast Cable	1
21	6708	Screw - HHC, 3/8 -16 x 2.25 inches, GR 5	4
22	4828	Nut - Nylock, 3/8 -16	2
23	80205	Bracket - Stiffener, Number 2 Mast Tube, Right Side	1
24	7339	Screw - HHC, 1/4 -20 x 0.5 inch, GR 5	20
25	80126	Number 2 Mast Assembly (includes 7 each of index number 5 and 14 each of index numbers 2, 3 and 24)	1

Figure 4-D

Mast Assembly - View 4, Number 1, 2 and 3 Mast Tube Assemblies

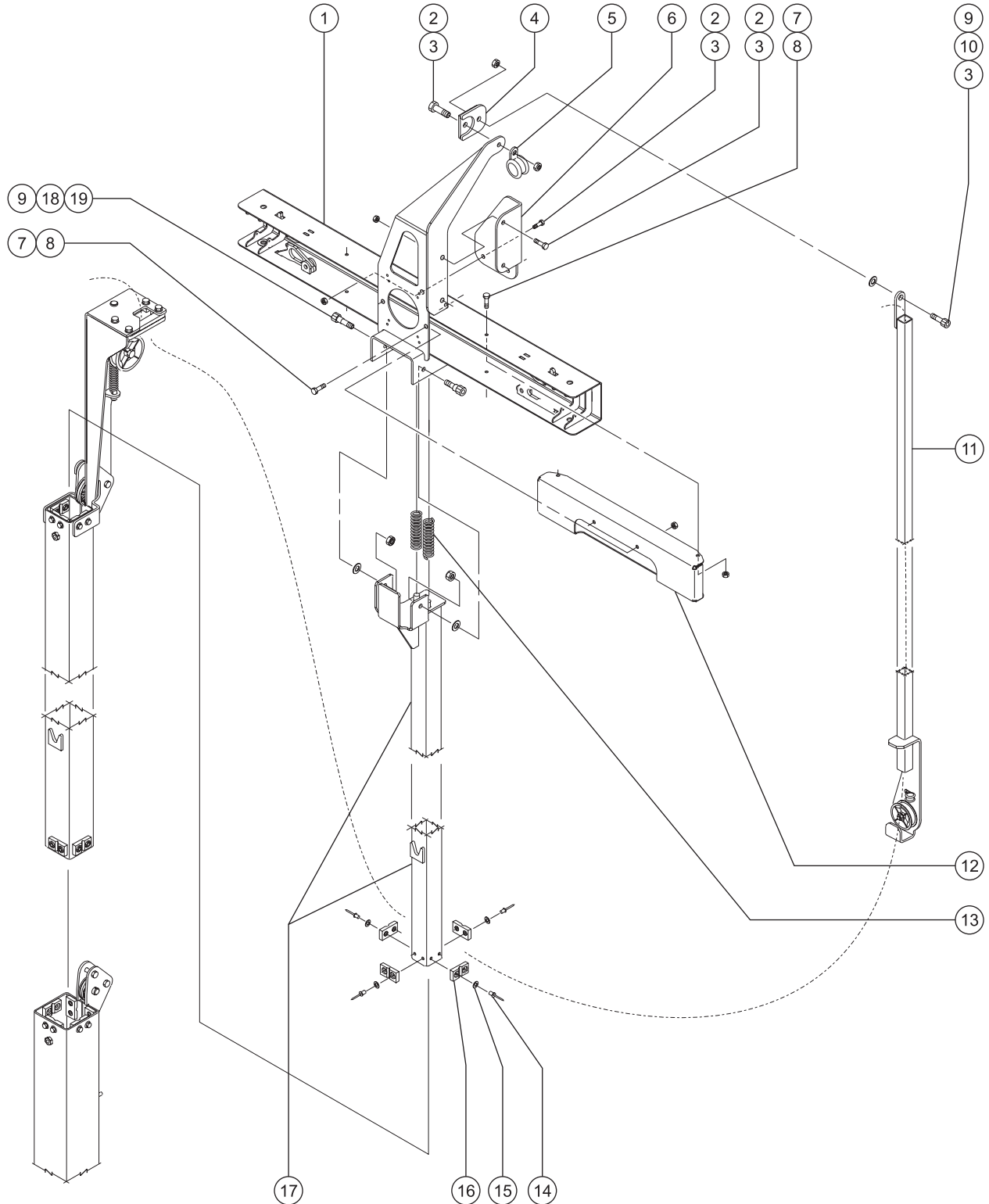


FIGURE 4-D

Index	Part No.	Description	Quantity This Figure
1	57317-S	Weldment - Light Mount	1
2	6175	Screw - HHC, 3/8 -16 x 1 inch, GR 5	5
3	4828	Nut - Nylock, 3/8 -16	6
4	80138	Weldment - Arm Extension	1
5	67897	Clamp - Rubber Cushioned, 0.41 inch	1
6	80135	Bracket - Light Bar Gusset	1
7	6090	Screw - HHC, 1/4 -20 x 0.75 inch, GR 5	4
8	6091	Nut - Nylock, 1/4 -20	4
9	42375	Screw - SHS, 3/8 -16 x 0.38 inch	3
10	11978	Washer - Flat, Nylon, 1/2 inch (0.515 x 0.875 x 0.095 inch) (1.31 x 2.22 x 0.24 cm) ...	1
11	80118	Tilt Linkage Assembly with Decal (decals are listed in Section One).....	1
12	80134	Weldment - Light Bar Channel	1
13	57352	Spring - Light Mount	2
14	7265	Rivet - Steel, 0.25 x 0.375 inch (0.64 x 0.95 cm)	8
15	33277	Washer - Flat, M8	8
16	69681	Wear Pad, 1.88 x 1 x 0.34 inch (4.78 x 2.54 x 0.86 cm).....	4
17	80125	Number 3 Mast Tube Assembly (includes index numbers 14 through 16).....	1
18	5397	Washer - Flat, 5/16 inch (0.375 x 0.875 x 0.083 inch) (0.95 x 2.22 x 0.21 cm)	2
19	7713	Nut - Low Profile Nylock, 3/8 -16	2

Figure 4-E

Light Installation

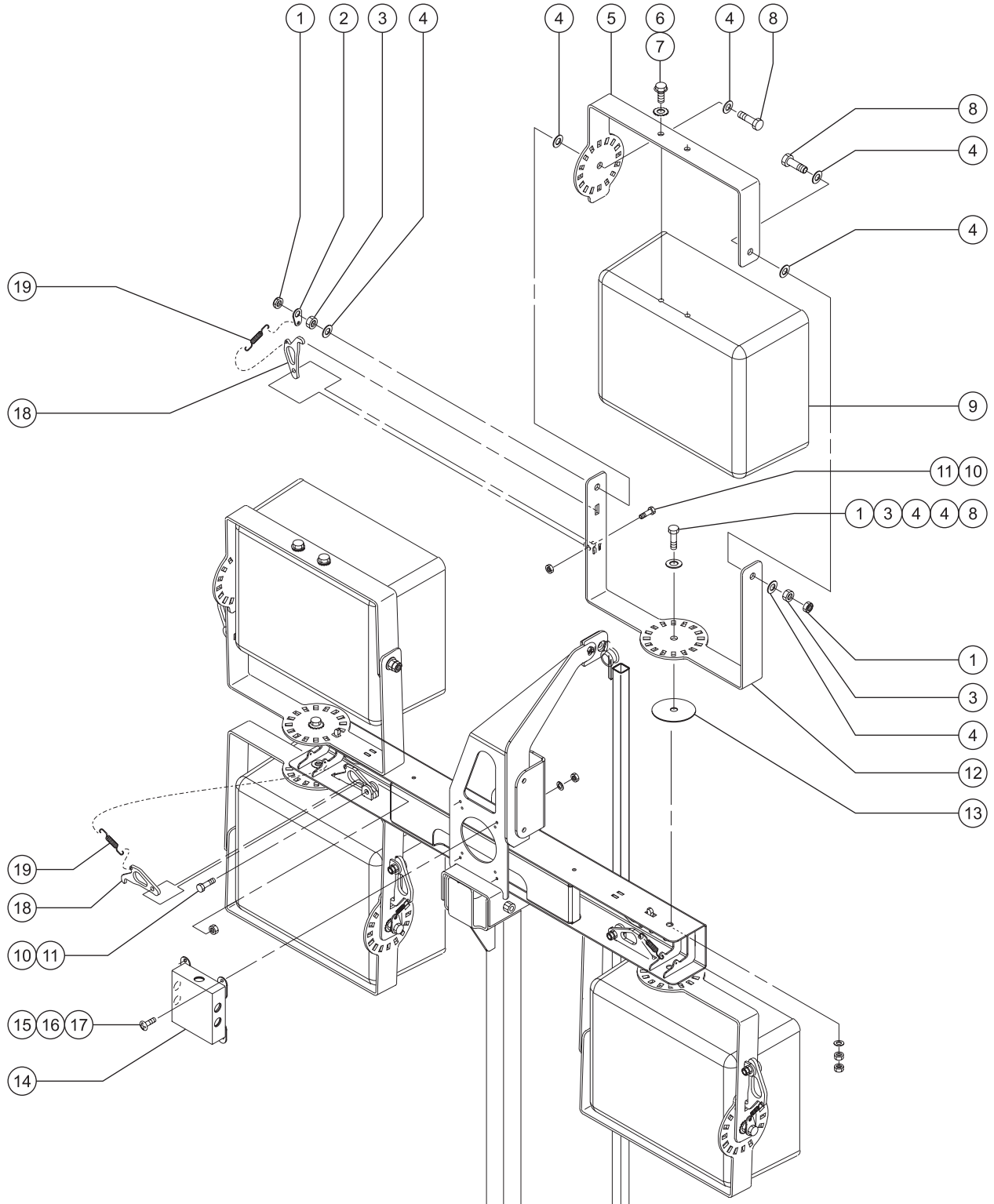


FIGURE 4-E

Index	Part No.	Description	Quantity This Figure
1	6086	Nut - Low Profile Nylock, 1/2 -13	12
2	40658	Washer - Flat, Retaining, 1/2 inch	4
3	6034	Nut - Hex Jam, 1/2 -13	12
4	11978	Washer - Flat, Nylon, 1/2 inch (0.515 x 0.875 x 0.095 inch) (1.31 x 2.22 x 0.24 cm)	32
5	57673	Bracket - Light, vertical	4
6	69641	Screw - Flange, HHC, 3/8 -16 x 0.75 inch	8
7	6700	Washer - Star, External, 3/8 inch	4
8	8177	Screw - HHC, 1/2 -13 x 1.5 inches, GR 5	12
9	Ref.	Light Assembly (refer to Figure 4-F)	—
10	6019	Screw - HHC, 3/8 -16 x 1.25 inches, GR 5	6
11	7713	Nut - Low Profile Nylock, 3/8 -16	6
12	57674	Bracket - Light, Yaw Adjustment, horizontal	4
13	69766	Spacer - Plastic, 0.56 x 3 inches (1.42 x 7.62 cm)	4
14	57535	T-Box	1
—	57581	Cover, T-box	—
15	49819	Screw - PHM, 10-32 x 0.5 inch, GR 2	4
16	6607	Washer - Lock, Plated, #10	4
17	15513	Nut - Hex, 10-32	4
18	69701	Plate - Light Rotation Lock	6
19	48075	Spring - Light Rotation Lock	6

Figure 4-F

Light Fixture Assembly

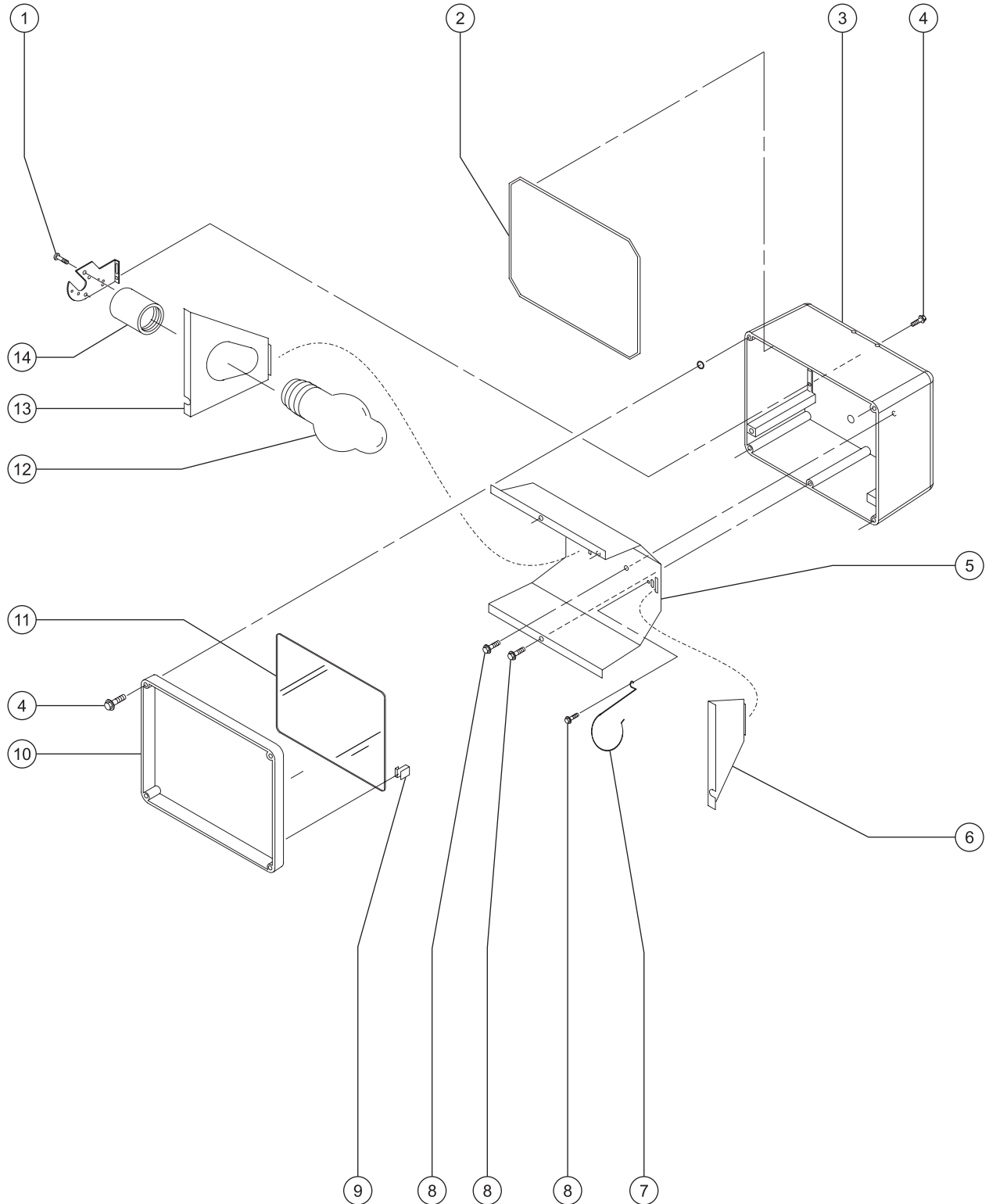


FIGURE 4-F

Index	Part No.	Description	Quantity This Figure
—	57449	Light Fixture Assembly - Complete (includes bulb)	—
1	78196	Screw - PHM, 8-32 x 0.63 inch	2
2	69886	Gasket - Lens, Light Fixture	1
3	85043	Housing - Light Fixture	1
4	85042	Screw - Flange, HHC, 10-24 x 0.63 inch, SS	5
5	80100	Reflector - Center	1
6	69889	Reflector - End (without opening)	1
7	69888	Retainer - Light Bulb	1
8	69868	Screw - Flange, HHC, 10-24 x 0.5 inch	6
9	80102	Clip - Lens Retainer	6
10	85044	Retainer - Lens, Light	1
11	80103	Lens - Light	1
12	80101	Bulb, 110V, 1000W, BT37	1
13	69890	Reflector - End (with opening)	1
14	69887	Socket - Bulb	1

Figure 4-G

Power Cable Routing - Mast

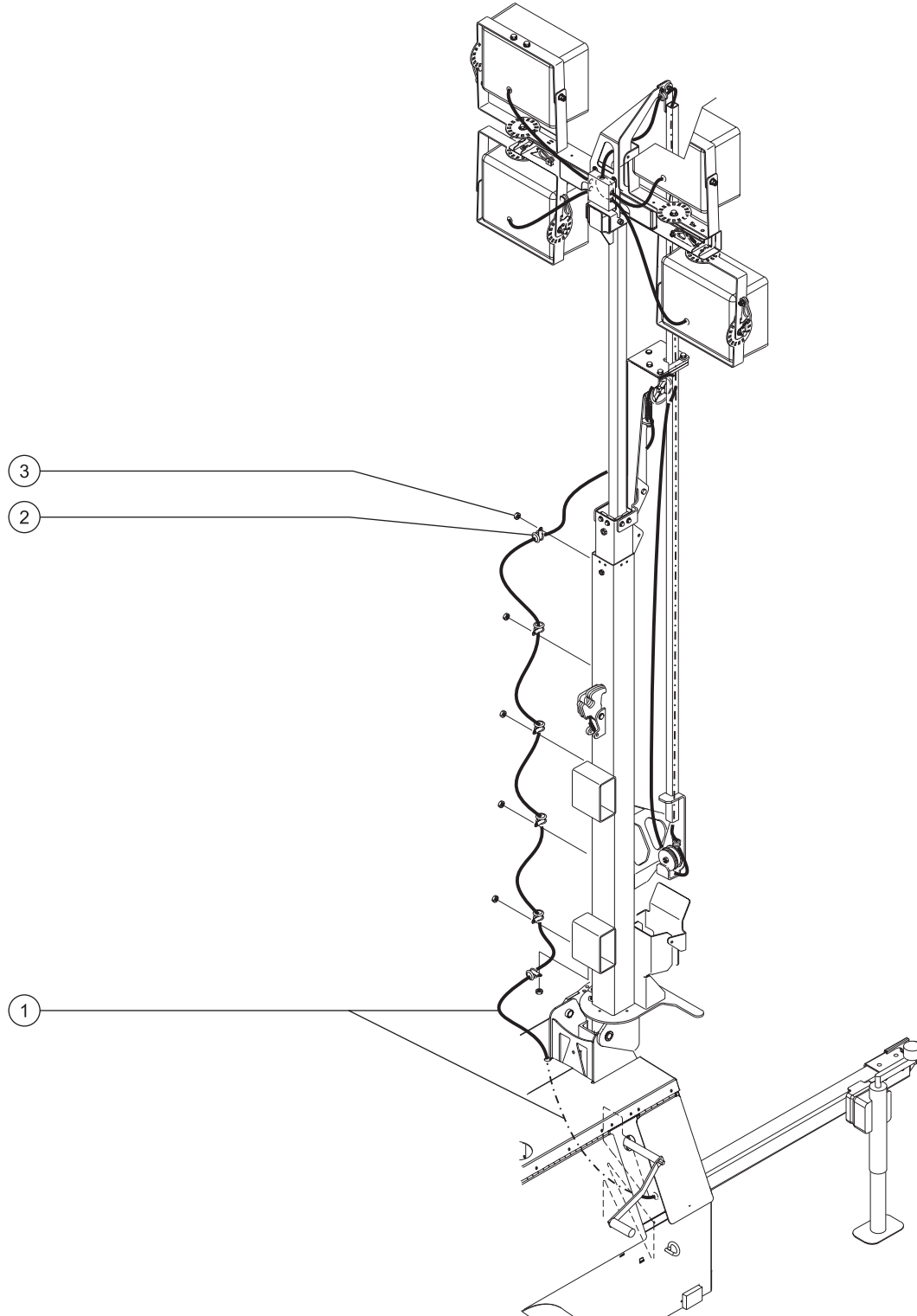


FIGURE 4-G

Index	Part No.	Description	Quantity This Figure
1	57582	Electrical Cord, 16 Gauge (1.307 mm ²) 7 conductor	384 inches (975.4 cm)
2	6833	Clamp - Rubber Cushioned, 0.5 inch	6
3	6091	Nut - Nylock, 1/4 -20	6

Figure 4-H

Winch Cable Routing - Mast Extension

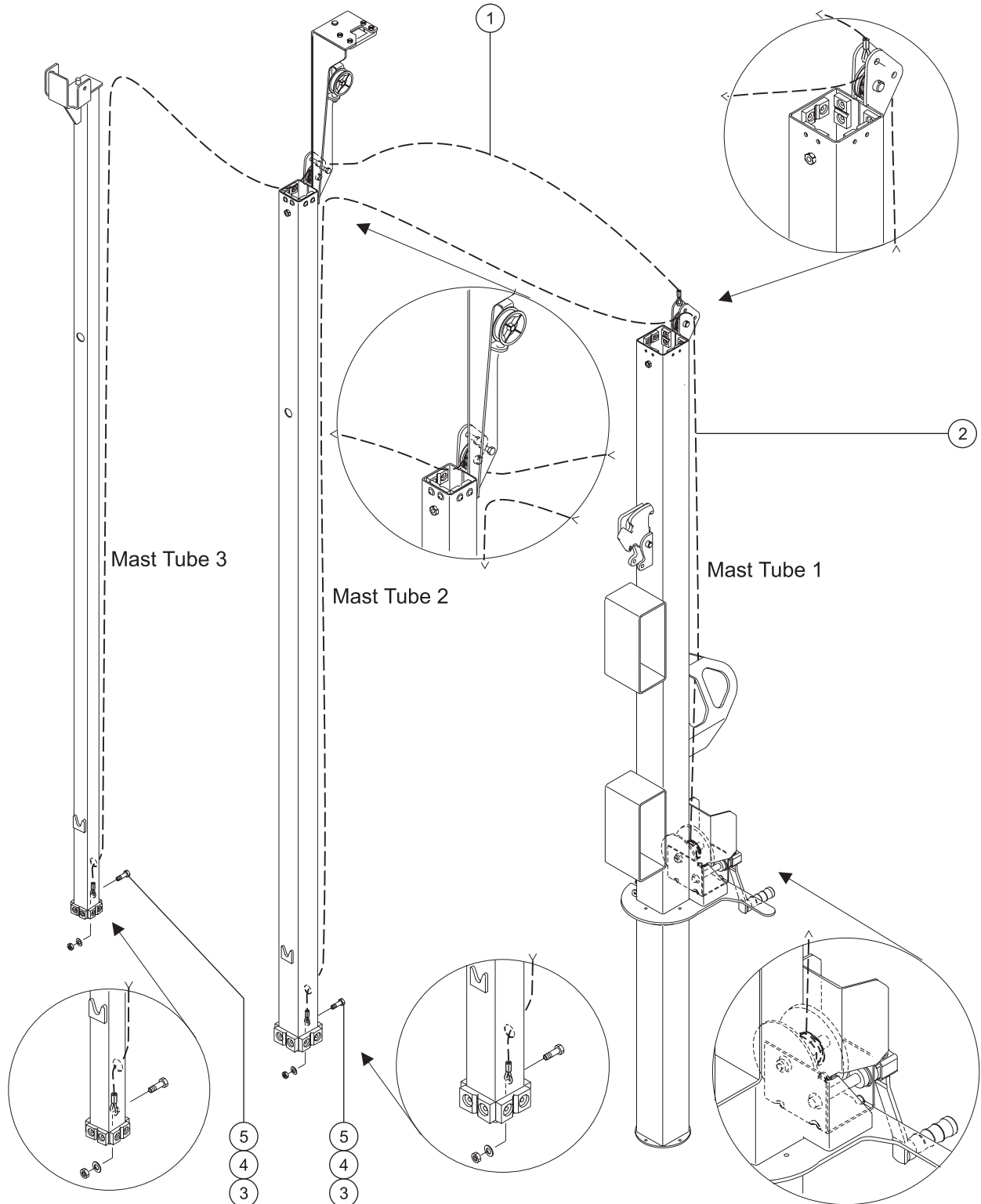


FIGURE 4-H

Index	Part No.	Description	Quantity This Figure
1	85260	Cable Assembly - Sequencing, Mast Tube 1 to Mast Tube 3	1
2	80281	Cable Assembly - Winch, Mast Extension	1
3	28487	Screw - BHHS, $\frac{3}{8}$ -16 x 1 inch	3
4	5397	Washer - Flat, $\frac{5}{16}$ inch (0.375 x 0.875 x 0.083 inch) (0.95 x 2.22 x 0.21 cm)	3
5	4828	Nut - Nylock, $\frac{3}{8}$ -16	3

Numeric Index

Part No.	Page No.	Index No.	Part No.	Page No.	Index No.	Part No.	Page No.	Index No.
1268	1-3	—	6094	4-5	9	8177	4-13	8
1484	1-3	—	6094	4-9	7	8255	2-11	26
2161	2-9	35	6095	2-7	18	8255	4-5	13
2223	2-19	3	6095	3-9	32	8357	2-7	19
4828	2-3	3	6097	2-9	27	8516	2-15	12
4828	2-11	18	6145	4-5	22	8516	2-21	40
4828	2-13	3	6145	4-9	12	8887	2-3	6
4828	2-15	14	6146	2-21	37	8914	2-7	10
4828	2-19	7	6175	2-15	17	8914	2-11	9
4828	3-7	13	6175	4-11	2	8914	4-9	1
4828	4-5	12	6178	2-17	3	8915	2-9	34
4828	4-9	22	6178	4-5	20	10006	2-5	34
4828	4-11	3	6190	2-23	11	10107	2-19	17
4828	4-19	5	6198	2-5	29	10256	2-5	35
5156	2-23	9	6198	2-7	16	10258	2-5	36
5157	2-23	4	6198	2-15	28	10258	4-3	7
5224	2-9	26	6198	3-9	33	10775	2-11	3
5320	2-23	12	6199	2-23	8	11978	4-7	31
5365	2-21	36	6200	2-23	7	11978	4-11	10
5376	2-23	14	6204	2-23	1	11978	4-13	4
5397	2-3	2	6271	2-11	20	12012	2-23	16
5397	2-11	7	6356	2-11	10	12016	2-13	14
5397	2-13	2	6356	4-5	5	12016	2-19	23
5397	2-15	13	6356	4-9	2	12456	2-11	6
5397	2-19	6	6564	4-3	6	12461	2-5	25
5397	3-7	12	6607	2-3	10	12981	2-23	15
5397	4-11	18	6607	2-17	4	13005	2-7	21
5397	4-19	4	6607	2-21	27	13066	2-5	27
6002	2-19	19	6607	4-13	16	13066	2-9	35
6019	2-3	1	6638	2-11	11	13066	2-15	27
6019	2-11	17	6638	2-13	8	13585	2-11	2
6019	2-13	1	6638	2-19	18	13918	2-13	15
6019	2-15	16	6638	4-3	3	13918	4-5	11
6019	2-19	5	6638	4-9	10	14085	2-23	—
6019	3-7	11	6700	4-13	7	14189	2-23	19
6019	4-7	30	6708	4-7	34	14190	2-23	2
6019	4-13	10	6708	4-9	21	14191	2-23	3
6021	2-15	18	6833	4-5	2	14193	2-23	5
6021	4-5	14	6833	4-17	2	14194	2-23	6
6024	3-9	37	6888	2-11	12	15513	2-3	11
6034	2-9	31	6888	2-13	7	15513	2-21	26
6034	2-13	6	6888	4-5	21	15513	4-13	17
6034	2-23	18	6888	4-9	9	15657P-S	2-13	16
6034	4-13	3	6889	2-7	11	15657P-S	4-5	15
6035	3-9	36	6889	2-19	12	16342	2-13	11
6086	2-13	5	6935	2-11	8	16342	2-23	17
6086	4-13	1	7057	2-25	4	18504	4-5	6
6090	2-11	14	7265	2-19	9	18504	4-9	3
6090	4-3	16	7265	4-11	14	18605	2-17	7
6090	4-11	7	7339	2-19	13	19506	2-17	16
6091	2-11	13	7339	4-3	2	21619	2-11	19
6091	2-13	9	7339	4-5	4	21982	2-17	15
6091	4-3	4	7339	4-9	24	22571	3-9	27
6091	4-5	1	7713	4-11	19	22586	3-7	14
6091	4-9	11	7713	4-13	11	22699	3-7	4
6091	4-11	8	8170	2-15	21	23394	4-7	24
6091	4-17	3	8177	2-15	26	23394	4-9	16
6094	4-3	14	8177	3-9	31	24018	2-11	5

NUMERIC INDEX - 25368 TO 69703-S

Part No.	Page No.	Index No.	Part No.	Page No.	Index No.	Part No.	Page No.	Index No.
25368	3-13	33	49819	4-13	15	57600	2-15	20
25926	4-5	23	51131	2-7	25	57658	3-9	34
25926	4-9	14	51428	4-3	5	57673	4-13	5
27585	3-7	22	52135	2-5	33	57674	4-13	12
28159	1-5	26	52252	2-3	17	57710	2-3	14
28161	1-3	2	52351	2-3	17	57717	2-15	7
28164	1-3	19	52475	1-5	22	57730	2-15	6
28171	1-5	25	54074	4-7	27	57745	3-9	28
28443	3-7	19	55017	3-11	13	59746	3-9	35
28487	4-19	3	56050	2-15	22	60790	2-3	5
29752	2-21	38	56123	3-11	19	61110	3-7	3
30255	2-17	2	57316	2-13	12	61295	4-7	35
30490	2-15	4	57316	4-3	11	62707	1-3	14
30490	3-11	1	57316	4-5	10	65206	2-5	33
31072	1-5	24	57316	4-9	20	65230	2-17	17
32064	3-9	29	57317-S	4-11	1	65231	2-3	8
32150	1-3	—	57324	3-7	20	65231	2-5	33
32151	1-3	—	57325	2-3	23	65408	1-3	12
32499	2-7	7	57331	2-5	30	65409	1-3	8
33277	4-11	15	57331	2-7	1	65411	1-3	13
35418	2-15	8	57332	2-5	28	65412	1-5	27
35434	3-11	9	57352	4-11	13	65414	1-3	21
37947	2-17	15	57367-S	2-15	24	65421	1-3	18
38028	2-7	23	57367	3-9	38	65423	1-3	17
38987	2-17	6	57370	2-15	10	66816	2-17	10
39240	2-7	17	57393	2-3	16	66818	2-17	10
40267	2-19	3	57394	2-3	12	67325	2-15	22
40658	4-13	2	57395	2-3	13	67688	2-19	22
40735	4-7	26	57398	2-21	31	67722	3-9	44
40735	4-9	15	57399	2-3	8	67897	4-11	5
40766	2-17	19	57408-S	2-13	4	69211	2-3	22
42191	2-7	24	57413	2-21	30	69638	4-9	18
42375	4-11	9	57414	2-15	23	69639	2-15	2
42641	4-3	15	57414	2-21	25	69640	2-15	9
43391	4-9	8	57416	2-19	8	69641	4-13	6
44650	2-3	17	57418	3-9	30	69650	2-7	14
44909	2-15	3	57419	3-9	42	69650	2-21	34
44909	3-11	2	57441	2-25	2	69654	2-19	24
44936	2-17	8	57441	2-25	3	69657	4-7	33
45437	2-11	1	57441	2-25	5	69658	4-7	32
46017	2-9	28	57444	2-17	14	69664	4-9	17
46715	2-5	26	57449	4-15	—	69667	2-7	13
46716	2-3	7	57450	2-17	5	69667	2-21	33
46717	2-3	18	57470	2-3	4	69673	2-21	32
48075	4-7	28	57531	2-25	5	69680	2-13	13
48075	4-13	19	57534	2-17	14	69680	4-3	13
49375	3-11	12	57535	4-13	14	69680	4-5	8
49378	3-7	24	57549	2-3	15	69680	4-9	6
49378	3-13	36	57550	2-3	21	69681	4-5	7
49379	3-9	26	57551	2-3	20	69681	4-9	5
49397	3-9	47	57552	2-3	19	69681	4-11	16
49408	3-7	15	57577	2-25	3	69682	4-3	1
49408	3-11	5	57581	4-13	14	69684	4-3	8
49409	3-7	23	57582	2-25	4	69687	4-3	9
49409	3-13	29	57582	4-17	1	69693	2-21	41
49816	2-3	9	57583	2-25	2	69699	4-9	13
49816	2-21	28	57587	2-15	25	69701	4-13	18
49819	4-5	19	57587	3-9	39	69703-S	2-15	15

NUMERIC INDEX - 69704-S TO 85037

Part No.	Page No.	Index No.	Part No.	Page No.	Index No.	Part No.	Page No.	Index No.
69704-S	2-15	11	69985-S	2-21	39	80135	4-11	6
69708-S	4-7	29	69989	2-7	15	80138	4-11	4
69719	2-11	22	69989	2-19	4	80204	4-9	19
69722	2-11	4	69990	2-7	12	80205	4-9	23
69723-S	2-11	15	69999	2-3	22	80206	4-9	4
69732	2-15	19	72008	1-3	15	80231	2-9	32
69734	2-15	5	72010	1-3	3	80232	2-9	30
69734	3-11	3	72018	1-3	11	80274	2-21	35
69735	2-19	14	72019	1-3	10	80278	3-3	11
69736	2-13	10	72077	1-3	9	80279	3-3	23
69738	2-19	1	72104	2-5	31	80280	1-3	-
69742	3-7	7	72105	2-5	32	80281	4-19	2
69754	2-19	20	72826	1-5	28	80282	3-3	20
69757	2-23	-	72828	1-3	20	80283	3-5	33
69759	2-17	11	72865	1-3	16	80284	3-13	42
69763	3-9	46	72870	1-3	4	80285	3-3	4
69765	2-17	1	72871	1-3	5	80321	1-5	23
69766	4-13	13	72874	1-5	29	80324	4-7	25
69767	2-17	15	72889	1-3	1	80333	2-15	19
69768	2-17	10	72890	1-3	7	80371	2-21	29
69770-S	2-11	16	72891	1-3	6	80390	2-15	22
69773	2-11	24	75382	3-11	8	85000	3-3	7
69773	2-11	27	75417	3-13	34	85001	3-3	9
69773	2-11	28	78196	4-15	1	85002	3-3	10
69774	3-5	25	80000-S	2-7	9	85003	3-3	12
69775	3-5	24	80003	2-7	8	85004	3-3	13
69776	2-17	9	80040	2-17	13	85005	3-3	14
69777	2-17	18	80040	2-25	2	85007	3-3	6
69778	2-19	15	80040	2-25	3	85008	3-3	22
69784	2-17	13	80053	3-3	15	85009	3-5	27
69785	2-17	13	80054	3-3	1	85010	3-5	28
69786	2-17	13	80093	3-7	21	85011	3-5	29
69800-S	2-7	6	80094	4-5	18	85012	3-5	34
69809-S	2-7	2	80100	4-15	5	85013	3-7	1
69813	2-7	5	80101	4-15	12	85014	3-7	5
69814	2-7	4	80102	4-15	9	85015	3-7	5
69814	2-19	21	80103	4-15	11	85016	3-7	8
69815	2-7	3	80104	2-5	24	85017	3-7	16
69818-S	2-7	2	80105	2-3	8	85018	3-7	18
69819	2-7	22	80107	2-13	18	85019	3-11	10
69820	2-7	20	80107	4-3	12	85020	3-11	14
69825	3-7	10	80108	2-19	2	85021	3-11	22
69826	3-7	6	80109	2-19	10	85022	3-11	23
69828	3-9	40	80110	2-19	11	85023	3-11	24
69829	3-13	31	80111	2-19	16	85024	3-11	16
69830	3-9	41	80117	4-5	3	85025	3-13	25
69831	2-17	12	80118	4-5	17	85026	3-13	27
69868	4-15	8	80118	4-11	11	85027	3-13	30
69879	2-9	33	80121	3-3	16	85028	3-11	17
69882	2-17	20	80124	3-3	2	85029	3-13	32
69883	2-11	23	80125	4-11	17	85030	3-13	35
69884	2-11	21	80126	4-9	25	85031	3-13	37
69885	4-3	10	80127	2-9	35	85032	3-13	38
69886	4-15	2	80128	2-9	35	85033	3-13	38
69887	4-15	14	80129	2-9	35	85034	3-13	39
69888	4-15	7	80130	2-9	29	85035	3-13	43
69889	4-15	6	80131	3-7	25	85036	3-13	44
69890	4-15	13	80134	4-11	12	85037	3-13	44

NUMERIC INDEX - 85038 TO 85351

Part No.	Page No.	Index No.
85038	3-13	45
85039	3-13	46
85040	3-13	47
85042	4-15	4
85043	4-15	3
85044	4-15	10
85045	3-13	41
85046	3-3	17
85047	3-3	3
85048	3-5	36
85049	3-3	8
85049	3-11	7
85050	3-3	19
85051	3-3	21
85052	3-5	26
85053	3-5	30
85054	3-5	31
85055	3-5	32
85056	3-5	35
85057	3-3	5
85058	3-3	18
85058	3-9	45
85059	3-7	2
85061	3-11	20
85062	3-13	26
85063	3-13	44
85064	3-13	44
85091	3-7	9
85092	3-7	17
85093	3-9	43
85094	3-7	9
85095	3-11	4
85096	3-11	6
85097	3-11	15
85098	3-11	18
85099	3-11	21
85100	3-13	28
85101	3-13	40
85102	3-11	11
85257	2-25	1
85258	2-25	7
85259	2-25	6
85260	4-19	1
85261	2-15	—
85351	2-15	1